

DOCKET ITEM #2

EXHIBIT NO. 1**Special Use Permit #2010-0006****4800 Brenman Park Dr – Ben Brenman Park Lighting**35-15-10

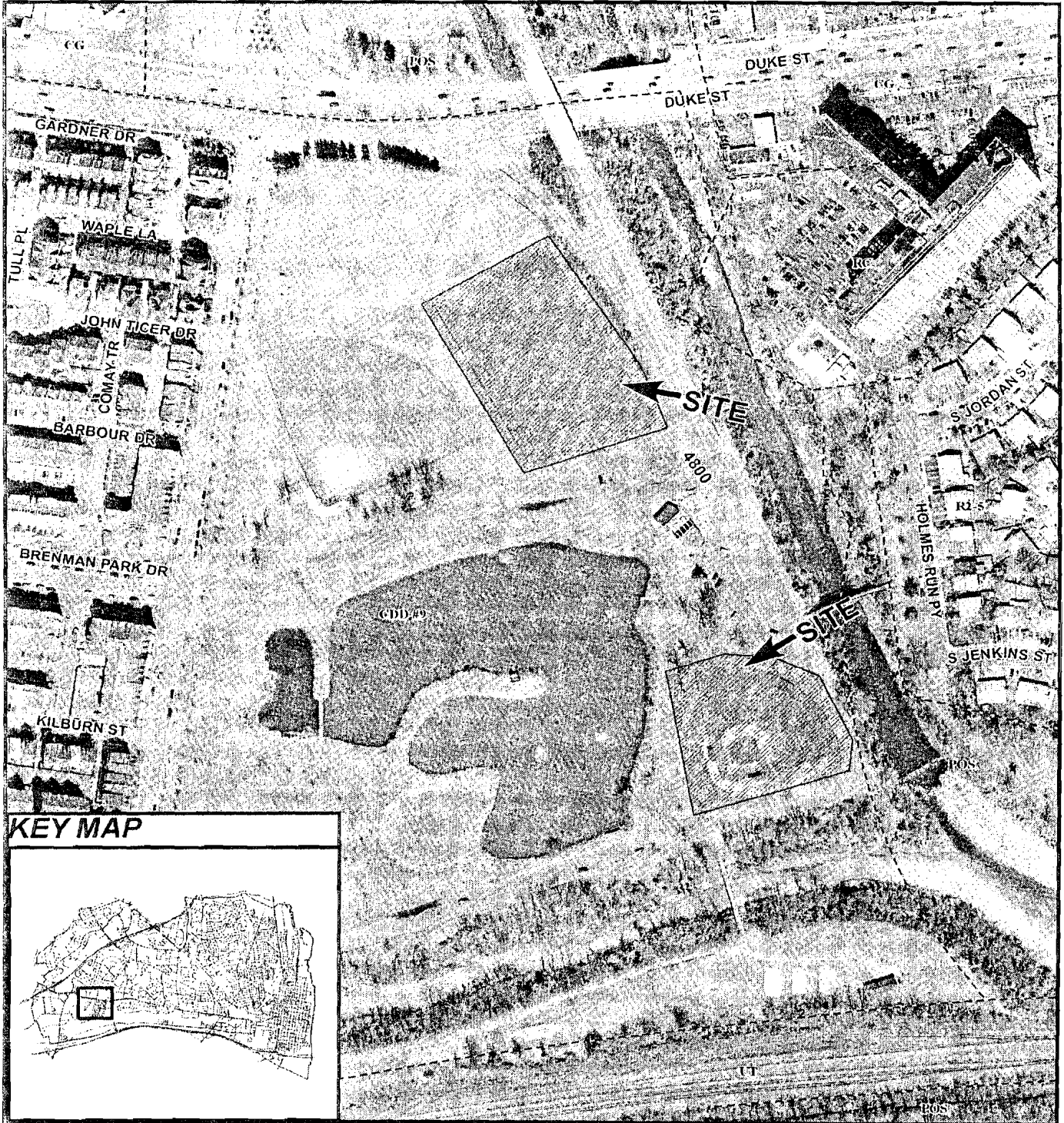
Application	General Data	
Request: Consideration of a request to add lighting to two existing athletic fields.	Planning Commission Hearing:	May 4, 2010
	City Council Hearing:	May 15, 2010
Address: 4800 Brenman Park Drive	Zone:	CDD#9
Applicant: City of Alexandria	Small Area Plan:	Landmark-Van Dorn

Staff Recommendation: APPROVAL subject to compliance with all applicable codes and ordinances and the recommended permit conditions found in Section III of this report.

Staff Reviewers: Nathan Randall nathan.randall@alexandriava.gov

PLANNING COMMISSION ACTION, MAY 4, 2010: By unanimous consent, the Planning Commission recommended approval of the request, subject to compliance with all applicable codes, ordinances and staff recommendations.

Reason: The Planning Commission agreed with the staff analysis.



SUP #2010-0006

05/04/10



I. DISCUSSION

REQUEST

The applicant, the City of Alexandria, Department of Recreation, Parks and Cultural Activities, requests special use permit approval for to add field lighting at Ben Brenman Park, located at 4800 Brenman Park Drive.

SITE DESCRIPTION

The subject property is one irregularly-shaped lot of record with 240 feet of frontage on Duke Street, approximately 1,950 feet of frontage on Somerville Street, and a total lot area of approximately 60 acres. The site is occupied by Ben Brenman Park.

The surrounding area is occupied by a mix of residential and commercial uses. Immediately to the west is the Cameron Station residential community. To the north across Duke Street is All Veterans Park along Holmes Run, the Alexandria Public Library, and the Foxchase Shopping Center. To the east across Holmes Run are the 4600 Duke Street condominium building and a neighborhood of semi-detached residential dwellings.



BACKGROUND

The site was dedicated to the City in 1996 from the Federal Government for park use upon closure of the Cameron Station military base. On June 13, 1998, City Council approved SUP#98-0048 for Ben Brenman Park, known at the time as "East End Park." The park was completed in September 2001. On September 16, 2006, City Council approved SUP#2006-0057 to add a playground at the park adjacent to the Little League field.

PROPOSAL

The applicant proposes to add field lighting to the athletic field and the Little League ballfield at Ben Brenman Park. The lighting will consist of four poles, not to exceed 70 feet in height, at each of the two fields. One of the poles will feature a rotated light fixture to direct light onto the children's playground adjacent to the ballfield. Advanced field lighting technology will be used to significantly limit light spill-over beyond the playing fields. Both fields are expected to close at 10:00pm daily, at which time the new lighting will be turned off.

PARKING

Based on industry standards, 35 parking spaces are typically needed for each baseball and softball game. For soccer, 38 parking spaces are usually required for each game. When the park is at its heaviest use, when three soccer games and one baseball game are occurring simultaneously, the parking need is estimated at 149 spaces. The park currently includes 210 parking spaces, not counting spaces located along Somerville Street, as shown in the application package. To prevent the possibility of parking shortages, staff proposes to stagger game times to avoid parking overlap from multiple games occurring at one time. Another means of ensuring sufficient parking at Ben Brenman Park in the future would be to assign parking permits to coaches and participants for specific parking lots.

ZONING/MASTER PLAN DESIGNATION

The subject property is located in the CDD#9 zone and the Landmark/Van Dorn Small Area Plan chapter of the Master Plan which designates the property for park use.

II. STAFF ANALYSIS

Staff supports the request of the Department of Recreation, Parks, and Cultural Activities to add field lighting at Ben Brenman Park. Although the new lighting will increase the amount of time each day that the two fields can be used, activity at those fields will not be more intense than what currently occurs there at any one time. With the potential for spill-over from the new lights being greatly reduced through the use of modern lighting technology, staff views the lights as a positive addition to the park that will improve the quality of evening play and better meet the recreational needs of Alexandria citizens.

As to lighting impacts, particularly as to residences to the east of the park across Holmes Run, closest to the fields, the closest residence is 260 feet away. The distance from the closest light

pole at the athletic field to the closest residence is 400 feet. In addition, the proposed new lights will use modern lighting technology to reduce spill-over. The design of standard lamps allows light to bounce out and away from the intended target. The more modern technology proposed here will feature a redesigned lamp that better captures light and bounces it back toward the target, in this case, the ball fields. Staff has prepared two graphics (see attached) showing the expected dramatic drop-off in spill-over lighting at each field as a result of the new technology. The diagrams show light levels diminishing dramatically to 0.5 foot candles at a point only 100 feet from the edge of the field; the light becomes indiscernible from ambient light just beyond that point. Compared to the distances to residences, there appears to be little likelihood that lights will have a negative impact on neighbors. Similar technology is successfully used at other City-owned parks, such as the fields at Minnie Howard and Fort Ward Park.

Staff understands that concerns about parking at Ben Brenman have been expressed in the past by the community. RP&CA plans to stagger the start time for games at the ball fields in order to increase the turn over of parking spaces. RP&CA is also exploring the possibility of assigning specific parking areas to coaches and visitors based on the location of their assigned ball field.

Finally staff also notes that RP&CA has reached out to the community regarding this proposal. A public hearing on the matter is scheduled before the Park & Recreation Commission on April 22. The Cameron Station Civic Association and Cameron Station Homeowners Association have also been notified. The plan was also discussed with City Council at a recent public work session.

In conclusion, staff believes the additional field lighting will be a benefit to the community and recommends approval, subject to the conditions contained in Section III of this report.

III. RECOMMENDED CONDITIONS

Staff recommends **approval** subject to compliance with all applicable codes and ordinances and the following conditions:

1. Spill-over light from the light poles shall be minimized through the use of modern lighting technology to the satisfaction of the Directors of Planning & Zoning and Recreation, Parks & Cultural Activities. (P&Z)
2. Field and playground lighting shall be turned off no later than 10:30pm each night. (P&Z)
3. A grading plan showing all improvements and alterations to the site must be approved by the Department of Transportation & Environmental Services prior to installation of site improvements. (T&ES)

4. If the staff determines that the newly installed lights have impacted surrounding properties adversely then the Department of RP &CA of the City of Alexandria will provide additional improvements to the satisfaction of the Directors of Transportation and Environmental Services and Recreation, Parks & Cultural Activities to correct the adverse condition. (T&ES)

STAFF: Barbara Ross, Deputy Director, Department of Planning and Zoning;
Nathan Randall, Urban Planner.

Staff Note: In accordance with section 11-506(c) of the zoning ordinance, construction or operation shall be commenced and diligently and substantially pursued within 18 months of the date of granting of a special use permit by City Council or the special use permit shall become void.

IV. CITY DEPARTMENT COMMENTS

Legend: C - code requirement R - recommendation S - suggestion F - finding

Transportation & Environmental Services:

- R-1 A grading plan showing all improvements and alterations to the site must be approved by T&ES prior to installation of site improvements. (T&ES)
- R-2 If the staff determines that the newly installed lights have impacted surrounding properties adversely then the Department of RP &CA of the City of Alexandria will provide additional improvements to the satisfaction of the Directors of Transportation and Environmental Services (T&ES) and Recreation, Parks & Cultural Activities to correct the adverse condition. (T&ES)

Code Enforcement:

- C-1 An electrical permit is required for the proposed lighting.

Health Department:

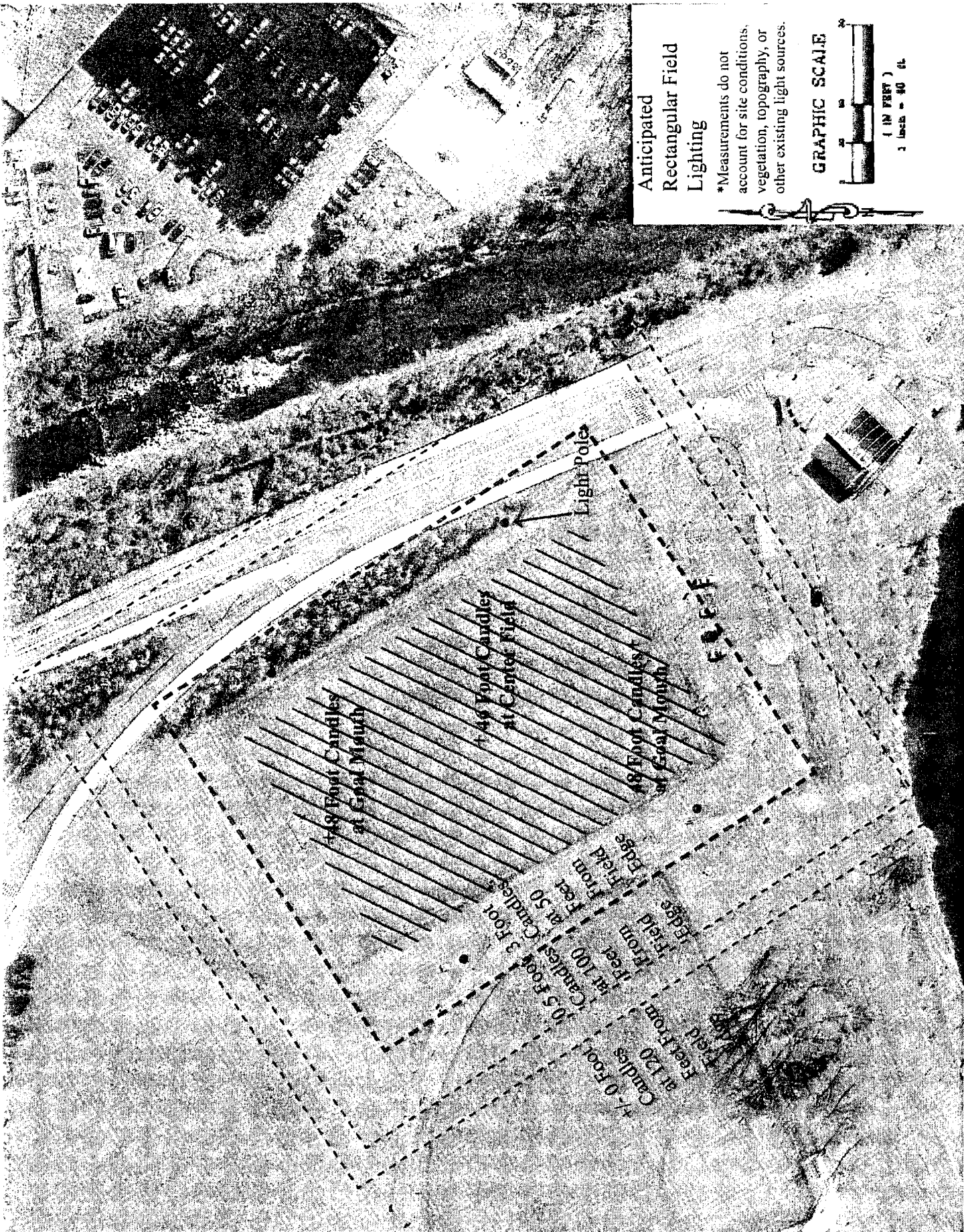
- F-1 No Comment

Police Department:

- F-1 The Police Department is in support of the proposed lighting and the placement of the light poles for the two athletic fields and the playground area at Ben Brenman Park.
- F-2 The Police Department is in support of the hours of operation for the park, Sunday thru Saturday, 8:00 am – 10:00 pm.

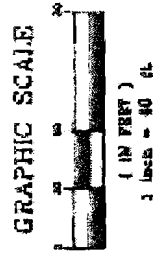
Archeology:

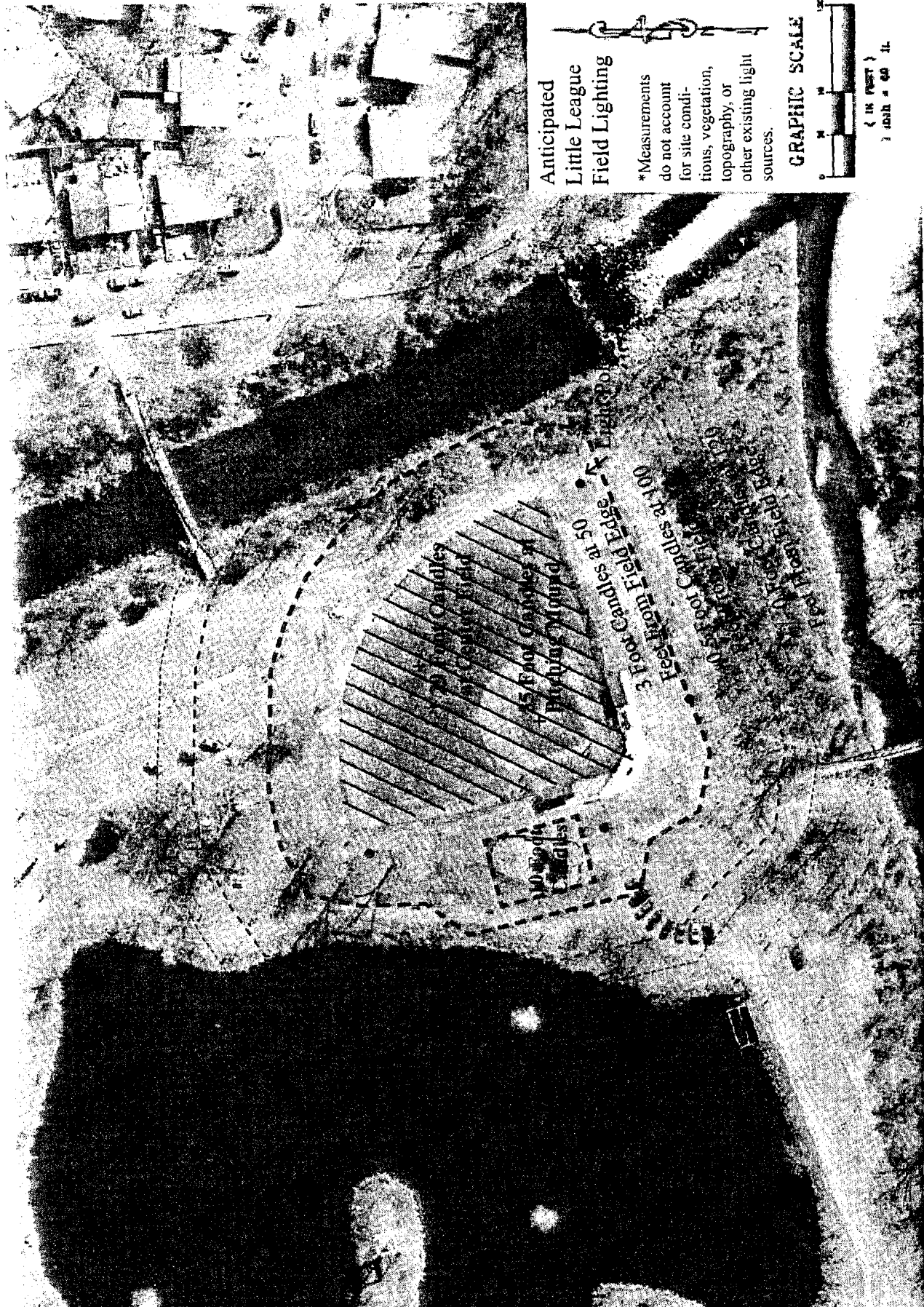
- F-1 Ben Brenman Park is situated at the confluence of two streams. Historically, the area would have been a floodplain and low terrace environment. There is a possibility for the discovery of Native American sites on some of the low terraces. However, previous archaeological work has indicated that these alluvial deposits are covered with approximately 10 or more feet of fill. Archaeological work to investigate the areas under this fill would require removing extensive areas of fill to allow for work in compliance with OSHA standards. There are 8 light poles, and although the poles may penetrate the fill, they will be put in place through auguring and will cause extremely minimal ground disturbance. Given the depth of the fill deposits along with the minimal ground disturbance, no archaeological action is required.



Anticipated Rectangular Field Lighting

*Measurements do not account for site conditions, vegetation, topography, or other existing light sources.



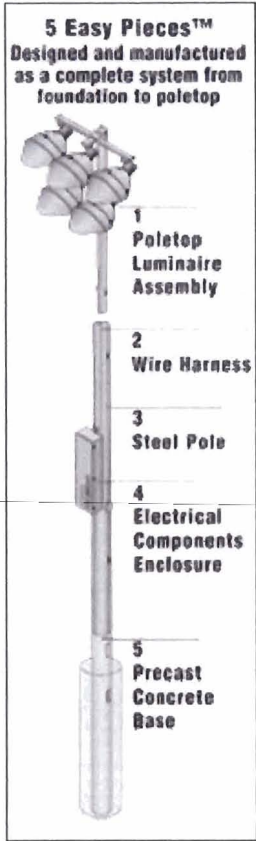


Anticipated Little League Field Lighting

*Measurements do not account for site conditions, vegetation, topography, or other existing light sources.



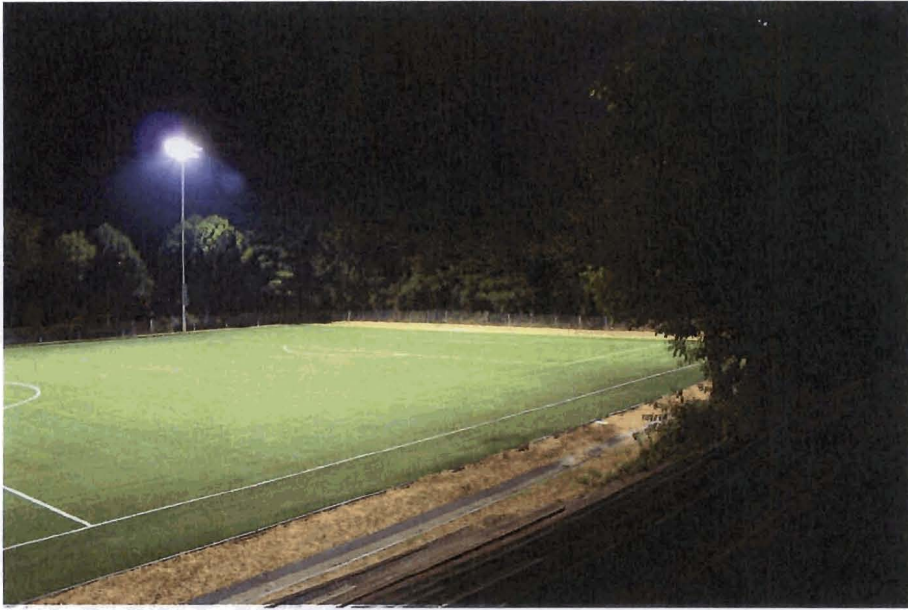
(IN FEET)
1 inch = 40 ft.



Standard Pole Mounted Lighting



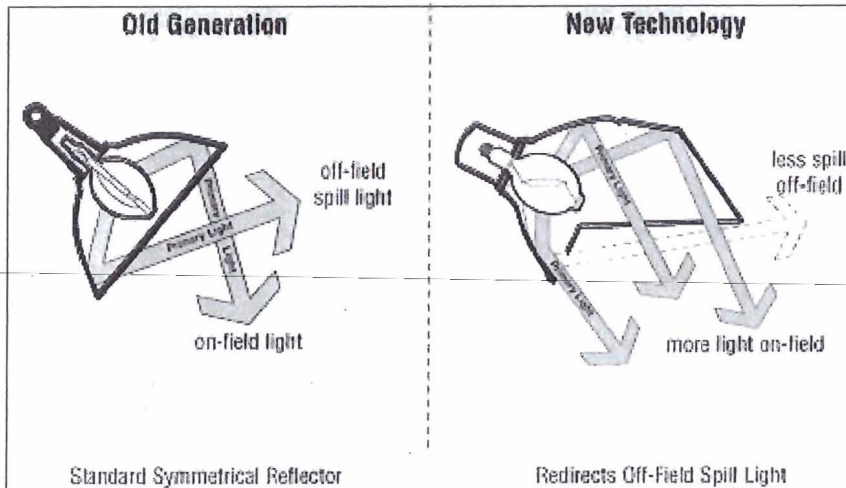
Sample Field Lighting with Low-Spill Technology at Minnie Howard Field



Sample Field Lighting with Low-Spill Technology at Fort Ward Field



Existing Little League Field and Playground at Ben Brenman Park



Advance Field Lighting Technology



APPLICATION

SPECIAL USE PERMIT

SPECIAL USE PERMIT # 2010-0006

PROPERTY LOCATION: 4800 Brenman Park Drive

TAX MAP REFERENCE: 059.01-02-01 ZONE: CDD # 9

APPLICANT:

Name: City of Alexandria (Department of RP&CA)

Address: 301 King Street, Alexandria, VA 22314

PROPOSED USE: Lights for athletic field and baseball diamond

Currently existing at Ben Brenman Park.

THE UNDERSIGNED, hereby applies for a Special Use Permit in accordance with the provisions of Article XI, Section 4-11-500 of the 1992 Zoning Ordinance of the City of Alexandria, Virginia.

THE UNDERSIGNED, having obtained permission from the property owner, hereby grants permission to the City of Alexandria staff and Commission Members to visit, inspect, and photograph the building premises, land etc., connected with the application.

THE UNDERSIGNED, having obtained permission from the property owner, hereby grants permission to the City of Alexandria to post placard notice on the property for which this application is requested, pursuant to Article IV, Section 4-1404(D)(7) of the 1992 Zoning Ordinance of the City of Alexandria, Virginia.

THE UNDERSIGNED, hereby attests that all of the information herein provided and specifically including all surveys, drawings, etc., required to be furnished by the applicant are true, correct and accurate to the best of their knowledge and belief. The applicant is hereby notified that any written materials, drawings or illustrations submitted in support of this application and any specific oral representations made to the Director of Planning and Zoning on this application will be binding on the applicant unless those materials or representations are clearly stated to be non-binding or illustrative of general plans and intentions, subject to substantial revision, pursuant to Article XI, Section 11-207(A)(10), of the 1992 Zoning Ordinance of the City of Alexandria, Virginia.

ROGER BLAKELEY
Print Name of Applicant or Agent

[Signature] 2/23/10
Signature Date

1108 Jefferson Street
Mailing/Street Address

703-746-5495
Telephone # Fax #

Alexandria, VA 22314
City and State Zip Code

roger.blakeley@alexandriava.gov
Email address

ACTION-PLANNING COMMISSION: _____	DATE: _____
ACTION-CITY COUNCIL: _____	DATE: _____

PROPERTY OWNER'S AUTHORIZATION

As the property owner of _____, I hereby
(Property Address)
grant the applicant authorization to apply for the _____ use as
(use)
described in this application.

Name: _____ Phone: _____
Please Print
Address: _____ Email: _____
Signature: _____ Date: _____

n/a

1. Floor Plan and Plot Plan. As a part of this application, the applicant is required to submit a floor plan and plot or site plan with the parking layout of the proposed use. The SUP application checklist lists the requirements of the floor and site plans. The Planning Director may waive requirements for plan submission upon receipt of a written request which adequately justifies a waiver.

- Required floor plan and plot/site plan attached.
- Requesting a waiver. See attached written request.

2. The applicant is the (check one):

- Owner
- Contract Purchaser
- Lessee or
- Other: _____ of the subject property.

State the name, address and percent of ownership of any person or entity owning an interest in the applicant or owner, unless the entity is a corporation or partnership, in which case identify each owner of more than ten percent.

n/a

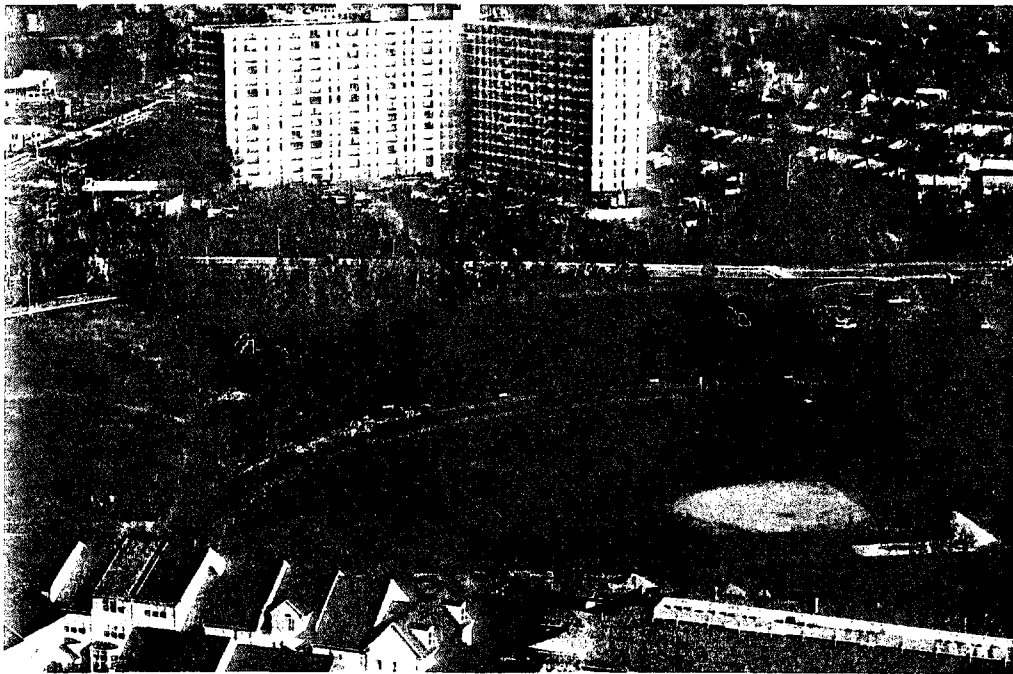
146

Request for a Special Use Permit to Install Athletic Field Lighting At Ben Brenman Park

The Department of Recreation, Parks and Cultural Activities is requesting approval of a request to add lighting to two athletic fields at Ben Brenman Park (4800 Ben Brenman Park Drive). The property is located in the CDD#9 zone, which requires a special use permit for the lighting of the athletic field area.

The existing rectangular athletic field, Little League ball field, adjacent softball field and playground area are well-used, and much needed athletic/recreational resources in the City, including scheduled use by the Alexandria Little League and Alexandria Soccer Association.

In order to better meet the recreational needs of Alexandria's citizens, and to improve evening play on the fields, RP&CA is proposing to add lighting to the athletic field, Little League ball field and play area at their current locations. The proposed lighting for the athletic field will consist of field lights mounted on four poles, with a maximum height of 70 feet; ballfield lights mounted on four poles, and one rotated light fixture on the nearest proposed ball field pole for the adjacent playground area. Locations for the light poles are indicated on the proposed site plan (attached). The proposed lighting system will use technologically advanced fixtures that significantly limit light spill-over beyond the playing field area. An example of a similar product is attached for information/demonstration only. Additional improvements to the Ben Brenman athletic field are planned in the future, including replacement of the existing natural turf field with a synthetic turf infill system.



Existing Athletic Field Area at Ben Brenman Park

USE CHARACTERISTICS

4. The proposed special use permit request is for (check one):

- a new use requiring a special use permit,
- an expansion or change to an existing use without a special use permit,
- an expansion or change to an existing use with a special use permit,
- other. Please describe: _____

5. Please describe the capacity of the proposed use:

A. How many patrons, clients, pupils and other such users do you expect?
Specify time period (i.e., day, hour, or shift).

No change from existing use in capacity, but hours will be extended with approval of lights (see attached (2))

B. How many employees, staff and other personnel do you expect?
Specify time period (i.e., day, hour, or shift).

No change.

6. Please describe the proposed hours and days of operation of the proposed use:

Day:

Hours:

Monday - Friday

8:00 a.m. to 10:00 p.m.

Saturday - Sunday

8:00 a.m. to 10:00 p.m.

7. Please describe any potential noise emanating from the proposed use.

A. Describe the noise levels anticipated from all mechanical equipment and patrons.

No change in noise level. Normal noise associated w/athletic use.

B. How will the noise be controlled?

N/A

8. Describe any potential odors emanating from the proposed use and plans to control them:

n/a

9. Please provide information regarding trash and litter generated by the use.

A. What type of trash and garbage will be generated by the use? (i.e. office paper, food wrappers) No change
Waste associated w/athletic field use (cups, water
bottles, etc.)

B. How much trash and garbage will be generated by the use? (i.e. # of bags or pounds per day or per week)
No change.

C. How often will trash be collected? No change.
Daily

D. How will you prevent littering on the property, streets and nearby properties? No change.
Trash cans are provided within the park. Users do not use
neighboring streets other than Somerville (which has city
maintenance + litter control)

10. Will any hazardous materials, as defined by the state or federal government, be handled, stored, or generated on the property?

Yes. No.

If yes, provide the name, monthly quantity, and specific disposal method below:

11. Will any organic compounds, for example paint, ink, lacquer thinner, or cleaning or degreasing solvent, be handled, stored, or generated on the property?

Yes. No.

If yes, provide the name, monthly quantity, and specific disposal method below:

12. What methods are proposed to ensure the safety of nearby residents, employees and patrons?

No change from existing use

ALCOHOL SALES

13. A. Will the proposed use include the sale of beer, wine, or mixed drinks?

Yes No

If yes, describe existing (if applicable) and proposed alcohol sales below, including if the ABC license will include on-premises and/or off-premises sales.

PARKING AND ACCESS REQUIREMENTS

14. A. How many parking spaces of each type are provided for the proposed use: *No change.*

- 210 ^{@ Park} Standard spaces * Current SUP for Ben Grenman Park allows for 250 spaces w/ overflow on the lawn (restricted).
- _____ Compact spaces
- _____ Handicapped accessible spaces.
- _____ Other.

Adjacent Street Parking on Somerville = 53 spaces.

Planning and Zoning Staff Only
Required number of spaces for use per Zoning Ordinance Section 8-200A. _____
Does the application meet the requirement? [] Yes [] No

See attached parking map.

B. Where is required parking located? (check one)

- on-site
- off-site

If the required parking will be located off-site, where will it be located?

PLEASE NOTE: Pursuant to Section 8-200 (C) of the Zoning Ordinance, commercial and industrial uses may provide off-site parking within 500 feet of the proposed use, provided that the off-site parking is located on land zoned for commercial or industrial uses. All other uses must provide parking on-site, except that off-street parking may be provided within 300 feet of the use with a special use permit.

C. If a reduction in the required parking is requested, pursuant to Section 8-100 (A) (4) or (5) of the Zoning Ordinance, complete the PARKING REDUCTION SUPPLEMENTAL APPLICATION.

[] Parking reduction requested; see attached supplemental form

15. Please provide information regarding loading and unloading facilities for the use:

A. How many loading spaces are available for the use? N/A

Planning and Zoning Staff Only
Required number of loading spaces for use per Zoning Ordinance Section 8-200 _____
Does the application meet the requirement? [] Yes [] No

B. Where are off-street loading facilities located? n/a

C. During what hours of the day do you expect loading/unloading operations to occur?
n/a

D. How frequently are loading/unloading operations expected to occur, per day or per week, as appropriate?
n/a

16. Is street access to the subject property adequate or are any street improvements, such as a new turning lane, necessary to minimize impacts on traffic flow? No change.
Adequate

SITE CHARACTERISTICS

17. Will the proposed uses be located in an existing building? Yes No
Do you propose to construct an addition to the building? Yes No n/a
How large will the addition be? _____ square feet.

18. What will the total area occupied by the proposed use be? No change
_____ sq. ft. (existing) + _____ sq. ft. (addition if any) = _____ sq. ft. (total)

19. The proposed use is located in: (check one) No change.
 a stand alone building
 a house located in a residential zone
 a warehouse
 a shopping center. Please provide name of the center: _____
 an office building. Please provide name of the building: _____
 other. Please describe: athletic field, diamond field, playground

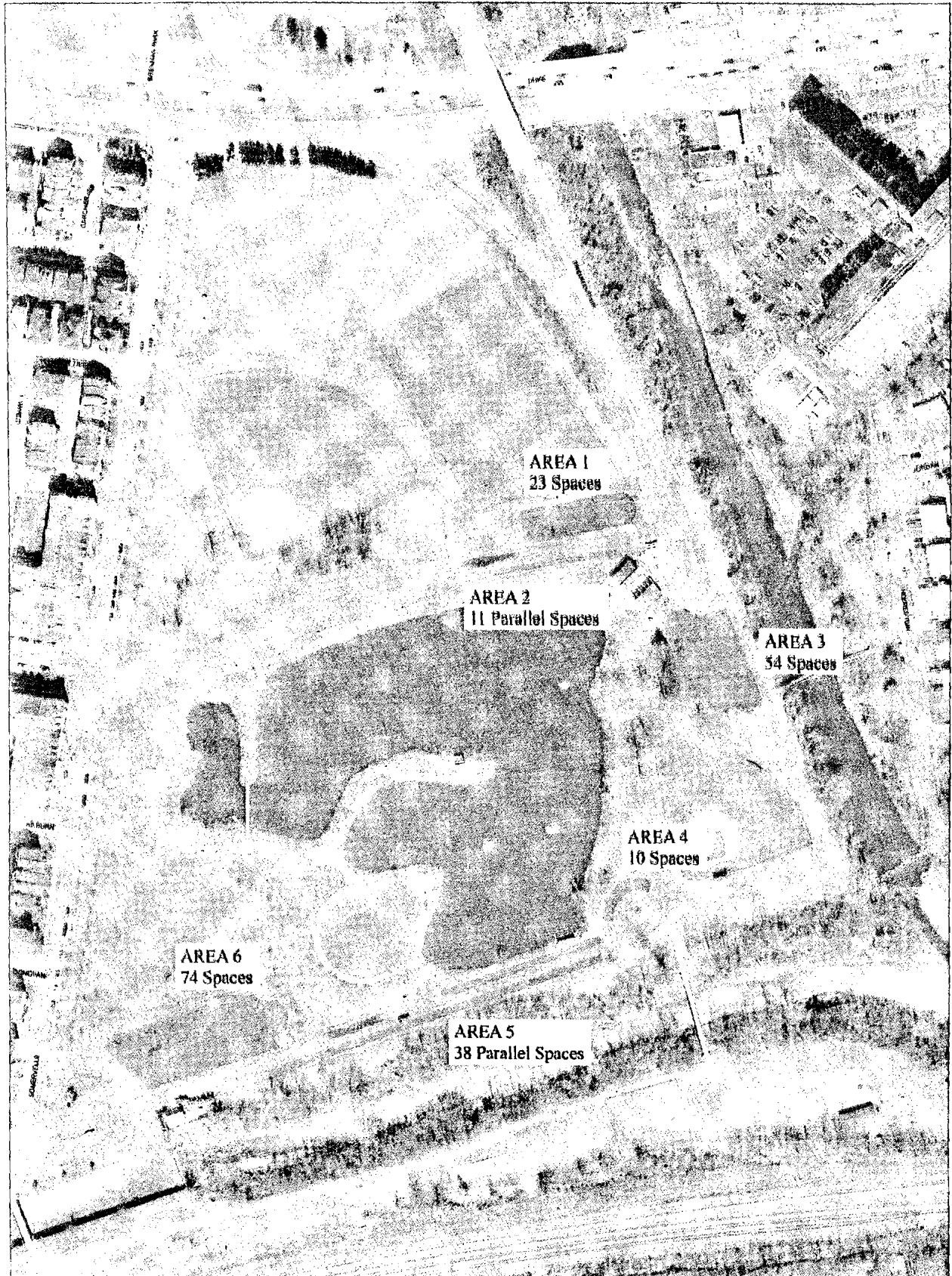
Alexandria Department of Recreation, Parks and Cultural Activities

Athletic Field & Tennis Court Users

FY 2010 July 2009 - June 2010

Field	Season	User Group	Dates of Use	Days of Use	Time of Use
Ben Brenman Baseball Field	Spring	Alexandria Little League	March - June	Monday - Friday	4:00 - 8:00 p.m.
	Fall	Alexandria Little League	August 15 - November 15	Saturday/Sunday	8:00 a.m. - 6:00 p.m.
Ben Brenman Soccer Field	Spring	Alexandria Soccer Association	March - June	Monday - Friday	4:00 - 8:00 p.m.
	Fall	Alexandria Soccer Association	September - November 15	Saturday/Sunday	8:00 a.m. - 3:00 p.m.

020



AREA 1
23 Spaces

AREA 2
11 Parallel Spaces

AREA 3
54 Spaces

AREA 4
10 Spaces

AREA 6
74 Spaces

AREA 5
38 Parallel Spaces



SITE EXHIBIT
BEN BRENNMAN PARK
SUP #



PARCEL BOUNDARY



Kimley-Horn and Associates, Inc.



Fw: Brenman Park Little League Baseball Diamond
Laura Durham to: Kendra Jacobs

05/04/2010 10:11 AM

Laura Durham
Open Space Coordinator
Recreation, Parks and Cultural Activities
City of Alexandria
703-746-5493

----- Forwarded by Laura Durham/Alex on 05/04/2010 10:11 AM -----

From: Bill Stiers <billstiers@earthlink.net>
To: laura.durham@alexandriava.gov
Cc: Cappie Stiers <mcstiers@aol.com>
Date: 05/04/2010 10:10 AM
Subject: Brenman Park Little League Baseball Diamond

Laura Durham
City of Alexandria
Department of Recreation, Parks and Cultural Affairs

Dear Laura -

As a parent of a 10 year old boy and 8 year old girl who have participated in city sports for the past six years, and an assistant coach for little league baseball, I am writing with regard to the capacity and condition of fields available for city children, specifically at Brenman Park.

The fields that the kids play on are in poor condition and suffer from severe overuse, which as you know, increases the likelihood of injuries (especially in baseball) and affect the quality of the play. When it rains, the fields are closed for various periods which make rescheduling difficult. Those that are in the worst shape can be closed for days.

We support the installation of new synthetic turf on the baseball field for several reasons. First, an even surface will make the trajectory of a fast moving baseball more predictable and reduce injuries, especially for the younger, less-experienced players. Second, it will also increase the number of games that can be played on that field in most weather conditions. Third, it is my understanding that RPCA costs will be significantly reduced as the turf requires almost no regular maintenance.

Also, we support the installation of lighting for the baseball field, which will make visibility better for late afternoon games when there is heavy cloud cover, or for those games that last until or past sunset. Again, this will reduce injuries by increasing visibility of a fast-moving baseball, especially with the younger, less-experienced players.

The Alexandria City Council and Planning Commission will be reviewing

the plan to convert Brenman Park soccer field from natural to synthetic turf and install permanent lighting. We support this effort, but think it would make even more sense to make upgrades to the little league baseball diamond the top priority.

Our family strongly supports this project and hope you will too.

- Bill Stiers

Bill, Cappie, Will, Mary Adeline Stiers
3908 Colonel Ellis Avenue
Alexandria, VA 22304
703-575-9369



Fw: Synthetic turf and lights
Laura Durham to: Kendra Jacobs

05/04/2010 10:10 AM

Laura Durham
Open Space Coordinator
Recreation, Parks and Cultural Activities
City of Alexandria
703-746-5493

— Forwarded by Laura Durham/Alex on 05/04/2010 10:11 AM —

From: "Balan Ayyar" <bkayyar@mindspring.com>
To: <laura.durham@alexandriava.gov>
Date: 05/03/2010 05:47 PM
Subject: Synthetic turf and lights

Dear Ms Durham,

I am writing you to voice my support for Synthetic Turf and Lights at Brenman Park. My daughter currently plays on the Alexandria soccer association league and is continually asked to play fields that are not maintained and sometimes dangerous. For example my daughter practices at George Mason school right next to a baseball diamond! I pray every practice that the girls won't be hit by a fly ball. A lighted field would allow longer practice times so the entire league isn't battling for field time in a 2 hour time frame. Synthetic turf is also safer and would allow less rained out games and make up games.

I truly appreciated your support in getting the synthetic turf and lights for Brenman Park.

Thanks,
Kristin



Fw: Synthetic Turf at Brenmen Park
Laura Durham to: Kendra Jacobs

05/04/2010 10:10 AM

Laura Durham
Open Space Coordinator
Recreation, Parks and Cultural Activities
City of Alexandria
703-746-5493

— Forwarded by Laura Durham/Alex on 05/04/2010 10:10 AM —

From: Stephanie Rosales <stephrosales@comcast.net>
To: laura durham <laura.durham@alexandriava.gov>
Date: 05/03/2010 08:54 PM
Subject: Synthetic Turf at Brenmen Park

Ms. Durham—

As a parent of girls playing soccer each season with Alexandria I write in **strong support** of the plan to convert Brenmen Park to synthetic turf and the addition of lights.

Currently, the City does not have sufficient field capacity to accommodate the growth of youth and adult participation in field sports. Our natural turf fields are in poor condition and suffer from severe overuse. The poor playing conditions increase the likelihood of injuries and affect the quality of the play. **Fields are frequently closed due to rain or wet ground** and cannot be used in the summer because they must be rested. Our kids have missed large portions of the scheduled seasons due to weather's effect on the natural field conditions. Installing a new synthetic turf field with lights will allow much greater field capacity since the field can be used year round in almost any weather conditions and after sunset.

Converting a synthetic turf field makes significant economic sense. One synthetic turf field offers the capacity of 2-3 natural turf fields, but unlike natural turf, requires almost no regular maintenance, reducing operating expenses significantly. Adding lights to the baseball field will also help our youth sports community address the capacity issues.

Thank you for your consideration.
Stephanie Rosales, Crestwood Dr., Alexandria
571-970-1446



Fw: Synthetic Turf Fields in Alexandria
Laura Durham to: Kendra Jacobs

05/04/2010 10:10 AM

Laura Durham
Open Space Coordinator
Recreation, Parks and Cultural Activities
City of Alexandria
703-746-5493

— Forwarded by Laura Durham/Alex on 05/04/2010 10:10 AM —

From: "Alison Smith" <alismith@cox.net>
To: <laura.durham@alexandriava.gov>
Date: 05/03/2010 10:13 PM
Subject: Synthetic Turf Fields in Alexandria

I would like to express my support for installing synthetic turf fields to the soccer playing areas in Alexandria. My son plays on the U9 Alexandria Stars Travel Soccer Team, and we have experienced frequent frustration with the condition of the fields (specifically, the Route 1/Potomac Yards fields). There are several points that are clear to me regarding soccer and the need for synthetic turf:

- The City does not have sufficient field capacity to accommodate the growth of youth and adult participation in field sports.
- Our natural turf fields are in poor condition and suffer from severe overuse. The poor playing conditions increase the likelihood of injuries and affect the quality of the play. Fields are frequently closed due to rain or wet ground and cannot be used in the summer because they must be rested.
- Installing a new synthetic turf field with lights will allow much greater field capacity since the field can be used year round in almost any weather conditions and after sunset.
- Synthetic turf fields are also safer for the kids and adults and offer perfect playing conditions.
- Converting a synthetic turf field makes significant economic sense. One synthetic turf field offers the capacity of 2-3 natural turf fields, but unlike natural turf, requires almost no regular maintenance, reducing operating expenses significantly.

My children attend school at Grace Episcopal School, where a synthetic turf field was installed 2 years ago. The turf field has made such a huge, powerful impact on sports for the kids in the school, at the church, and for the neighboring community. I urge you to consider making the same positive change for all Alexandria athletes.

Thank you.
Alison Smith



Fw: Support for Brenman Park Conversion
Laura Durham to: Kendra Jacobs

05/04/2010 10:09 AM

Laura Durham
Open Space Coordinator
Recreation, Parks and Cultural Activities
City of Alexandria
703-746-5493

— Forwarded by Laura Durham/Alex on 05/04/2010 10:10 AM —

From: "Fagan, James" <james.fagan@bayfirst.com>
To: <laura.durham@alexandriava.gov>
Date: 05/03/2010 10:16 PM
Subject: Support for Brenman Park Conversion

Hi Laura.

I'm writing to voice my strong support for the proposed conversion of the Brenman Park soccer field from natural to synthetic turf and the installation of permanent lighting at the field. As a parent of three Alexandria youth soccer players (and being an adult league player myself), I've seen the limitations of our current fields up close - many are in poor condition, they are frequently closed for "oversaturation", and they are often off limits during the summer months. The current synthetic turf fields at Ft. Ward and Minnie Howard have been fantastic. They provide an opportunity to play year round, regardless of weather, and into the evening hours.

I currently coach my daughter's U-6 soccer team, and when I see the hundreds of kids playing at Potomac Yard on Saturday mornings (just in our age group!), I can't help but think the City is not going to have sufficient, quality field capacity to accommodate the growth of youth participation in the years to come.

My understanding is that synthetic turf fields are also safer for the kids and make economic sense, given their larger capacities and limited maintenance costs.

Thank you and please let me know if there is anything else I can do to support this project.

Jim Fagan

2316 Valley Drive

703-683-0299

34



Fw: Brenman-Turf Field Support
Laura Durham to: Kendra Jacobs

05/04/2010 10:09 AM

Laura Durham
Open Space Coordinator
Recreation, Parks and Cultural Activities
City of Alexandria
703-746-5493

----- Forwarded by Laura Durham/Alex on 05/04/2010 10:10 AM -----

From: mjdiscenz@aol.com
To: laura.durham@alexandriava.gov
Date: 05/04/2010 07:11 AM
Subject: Brenman-Turf Field Support

Dear Ms. Durham,

We are writing in strong support of installing synthetic turf fields at Brenman Park. We have two daughters, 11 and 9, who are active participants in the Alexandria Soccer Association and Alexandria Lacrosse Club teams. They regularly have practice and games at Brenman. The current fields are in very poor condition and not up to par with state of the art synthetic turf facilities available to the majority of teams we compete against. We sometimes have access to the synthetic fields at Minnie Howard and Fort Ward, and find them far superior to the natural turf fields at Brenman. The synthetic turf makes for a better, safer, more fair game. And the fact that they are available even when it rains increases playing capacity.

Thank you for your consideration of our request to upgrade our facilities.
Regards,
Mike Discenza
Cynthia Durakis
Alexandria, VA



Fw: artificial turf and lights and Brenman park
Laura Durham to: Kendra Jacobs

05/04/2010 10:09 AM

Laura Durham
Open Space Coordinator
Recreation, Parks and Cultural Activities
City of Alexandria
703-746-5493

----- Forwarded by Laura Durham/Alex on 05/04/2010 10:09 AM -----

From: "Harwood, Sandra Vura" <sharwood@idsociety.org>
To: <laura.durham@alexandriava.gov>
Date: 05/04/2010 09:13 AM
Subject: artificial turf and lights and Brenman park

Dear Ms. Durham –

As a city resident, masters league soccer player and mother of two children currently in both the Alexandria soccer and baseball/softball city leagues, I strongly support the conversion of one of the fields as well as field lighting for Brenman park. Our city has so few fields and so many teams that between overuse and inclement weather natural fields don't hold up well. An artificial turf field would relieve much of the burden on these overused natural fields and the lighting would allow for evening play, allowing for more teams to enjoy this amenity. Team sports promote healthy, active lifestyles and providing the resources that enable these activities only enhance our community, our property values and our standard of living.

Thank you for your consideration.

Sandra Vura Harwood
608 Melrose Street
Alexandria, VA 22302
(703) 836-0606

SV



Fw: I support the Brenman Park turf field with lights
Laura Durham to: Kendra Jacobs

05/04/2010 10:09 AM

Laura Durham
Open Space Coordinator
Recreation, Parks and Cultural Activities
City of Alexandria
703-746-5493

--- Forwarded by Laura Durham/Alex on 05/04/2010 10:09 AM ---

From: Jeffrey Resetco <jresetco@gmail.com>
To: laura.durham@alexandriava.gov
Date: 05/04/2010 09:33 AM
Subject: I support the Brenman Park turf field with lights

Laura

I strongly support the new turf field with lights at Brenman park. I live at 906 Enderby Dr. in Alexandria. I play organized adult sports in the city and my two children play recreational sports in Alexandria as well. I strongly believe that the City does not have sufficient field capacity to accommodate the growth of youth and adult participation in field sports.

Our natural turf fields are in poor condition and suffer from severe overuse. The poor playing conditions increase the likelihood of injuries and affect the quality of the play. Fields are frequently closed due to rain or wet ground. I have witnessed all 3 of these problems on a regular basis throughout the course of a spring or fall season.

Installing a new synthetic turf field with lights will allow much greater field capacity since the field can be used year round in almost any weather conditions and after sunset. I often play at the Ft Ward field and I have found the experience on turf with lights to be a wonderful recreational opportunity. I think more residents in the city and their children should have the same opportunity.

Converting a synthetic turf field makes significant economic sense. One synthetic turf field offers the capacity of 2-3 natural turf fields, but unlike natural turf, requires almost no regular maintenance, reducing operating expenses significantly. Adding lights to the baseball field will also help our youth sports community address the capacity issues.

Thank you for your consideration of my strong support for the project.

Regards

Jeffrey Resetco

--

57

Jeffrey Resetco
jresetco@gmail.com
571-259-3656



Fw: Alexandria Soccer
Laura Durham to: Kendra Jacobs

05/04/2010 10:08 AM

Will be in Alexandria
5/10/2010

Laura Durham
Open Space Coordinator
Recreation, Parks and Cultural Activities
City of Alexandria
703-746-5493

----- Forwarded by Laura Durham/Alex on 05/04/2010 10:09 AM -----

From: "Manning, John F [BMG]" <John.Manning@sprint.com>
To: "laura.durham@alexandriava.gov" <laura.durham@alexandriava.gov>
Date: 05/04/2010 09:35 AM
Subject: Alexandria Soccer

Hi Laura,

Just a quick note to say I fully support the synthetic fields in Alexandria for myself and my girls (we live on Ridge Road Drive).

A few comments - The City does not have sufficient field capacity to accommodate the growth of youth and adult participation in field sports.

- Our natural turf fields are in poor condition and suffer from severe overuse. The poor playing conditions increase the likelihood of injuries and affect the quality of the play. Fields are frequently closed due to rain or wet ground and cannot be used in the summer because they must be rested.
- Installing a new synthetic turf field with lights will allow much greater field capacity since the field can be used year round in almost any weather conditions and after sunset.
- Synthetic turf fields are also safer for the kids and adults and offer perfect playing conditions.
- Converting a synthetic turf field makes significant economic sense. One synthetic turf field offers the capacity of 2-3 natural turf fields, but unlike natural turf, requires almost no regular maintenance, reducing operating expenses significantly.
- Adding lights to the baseball field will also help our youth sports community address the capacity issues.

Thanks,

John

John Manning

Sprint

Client Executive - U.S. Navy

(703) 898-4135 Mobile

john.manning@sprint.com

<http://www.sprint.com>

This e-mail may contain Sprint Nextel Company proprietary information intended for the sole use of the recipient(s). Any use by others is prohibited. If you are not the intended recipient, please contact the sender and delete all copies of the message.

59



Fw: Brenman Park Fields
Laura Durham to: Kendra Jacobs

05/04/2010 12:23 PM

Laura Durham
Open Space Coordinator
Recreation, Parks and Cultural Activities
City of Alexandria
703-746-5493

— Forwarded by Laura Durham/Alex on 05/04/2010 12:24 PM —

From: Martin Cargas <mcargas@gmail.com>
To: laura.durham@alexandriava.gov
Date: 05/04/2010 11:02 AM
Subject: Brenman Park Fields

Dear Ms. Durham:

Our family are strong supporters of the Brenman Field synthetic turf and lighting project.

There are few ways for local government to spend \$\$ better than to provide efficient, safe recreational opportunities for its citizens. The benefits associated with fields that can be used for our kids and our citizens during most times and weather conditions vastly outweigh the minor inconvenience that may be caused to a few residents.

Again, we strongly support the Brenman field turf and lighting project.

Thank you for your continued support of this important project.

Martin Cargas on behalf of the Cargas family
817 St. Stephens Rd
Alexandria, VA 22304

40



Fw: support for lights & turf at Ben Brenman
Laura Durham to: Kendra Jacobs

05/04/2010 12:22 PM

Laura Durham
Open Space Coordinator
Recreation, Parks and Cultural Activities
City of Alexandria
703-746-5493

----- Forwarded by Laura Durham/Alex on 05/04/2010 12:23 PM -----

From: Timothy Peterson <tpete@mac.com>
To: laura.durham@alexandriava.gov
Date: 05/04/2010 10:41 AM
Subject: support for lights & turf at Ben Brenman

Ms. Durham,

I have sent the below message to the Mayor, Vice Mayor, and members of the City Council. I strongly support the addition of artificial turf and lights at Ben Brenman Park. Thank you,
Tim Peterson

Mr. Mayor, Mr. Vice Mayor, and City Council Members, I am writing to voice my strong support for the addition of synthetic fields and lights at Ben Brenman Park. Alexandria is in desperate need of safe outdoor fields for kids and for adults. I am a parent of three boys who play a variety of sports. I have noticed over the past 10 years that our existing fields are deteriorating quickly, leaving dangerous holes, mounds, and rough patches that our kids need to avoid as they play. The lack of available fields for adults and kids means that our current fields are being overused. A synthetic field will provide a safer, more durable surface, and the addition of lights will enable more games to be played at those fields, relieving the pressure on playing areas across the city. One of the reasons my wife and I love living in Alexandria is the active lifestyle the city provides. Like many people, I'm concerned about kids and adults not getting enough exercise and developing more sedentary habits. Right now, the city does not have sufficient field space. The proposed project at Ben Brenman will help the city provide more opportunities for families to live a healthy life. Thank you for your past support of the project. I encourage you to continue to advance this proposal. Regards, Tim Peterson

4



Fw: Brenman Soccer Fields Turf and Lights
Laura Durham to: Kendra Jacobs

05/04/2010 02:16 PM

Laura Durham
Open Space Coordinator
Recreation, Parks and Cultural Activities
City of Alexandria
703-746-5493

----- Forwarded by Laura Durham/Alex on 05/04/2010 02:17 PM -----

From: jmackeiganai@aol.com
To: laura.durham@alexandriava.gov
Date: 05/04/2010 01:33 PM
Subject: Brenman Soccer Fields Turf and Lights

Hi Ms. Durham-

I am writing you to voice my support for Synthetic Turf and Lights at Brenman Park. We have 2 young boys who are very active in Alexandria soccer; one plays on a recreational team and the other plays on a travel team.

We would appreciate your support in getting the synthetic turf and lights for Brenman Park to enhance their experience and the longevity for the city's fields.

thanks
Jenifer and Marc MacKeigan



Emails re: Brenman SUP
Laura Durham to: Nathan Randall
Cc: Ron Kagawa, Bethany Carton, Roger Blakeley, Kendra Jacobs

05/03/2010 05:46 PM

Hi Nathan,

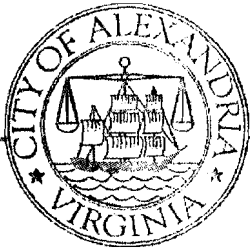
As we discussed this afternoon, here are the emails I have received through COB today. When we announced the public meeting (that was held last week), we also indicated that anyone could send written comments. We've received these emails in the past three weeks. I can also forward them individually if you need more information from each one. Just let me know.

Thanks,
Laura



Brenman Turf Field Project - 2010 SUP emails.doc

Laura Durham
Open Space Coordinator
Recreation, Parks and Cultural Activities
City of Alexandria
703-746-5493



City of Alexandria, VA

City Hall, 301 King St. Room 3500, Alexandria, VA 22314

eNews

FOR IMMEDIATE RELEASE:

April 14, 2010

FOR MORE INFORMATION, CONTACT:

Jack Browand, Director, Marketing, Public
Relations, and Special Events at 703.746.5504

Public Invited to Attend Community Meeting on Proposed Lighting Improvements at Ben Brenman Park, 4800 Brenman Park Drive

The public is invited to attend a community meeting to discuss proposed lighting improvements for the Ben Brenman Soccer Field and Little League Baseball Field, located at 4800 Brenman Park Drive. The meeting will be held on Monday, April 26, at 7 p.m. on the Soccer Field at Ben Brenman Park.

City staff will present information and answer questions on the proposed athletic field lights plan that has been submitted to the Planning Commission for a May 4, 2010 public hearing.

Persons who are unable to attend the community meeting can send written comments to the Department of Recreation, Parks and Cultural Activities, Attention: Laura Durham, 1108 Jefferson St., Alexandria, VA 22314, or e-mail laura.durham@alexandriava.gov.

The City of Alexandria is committed to compliance with the City's Human Rights Code and the Americans with Disabilities Act. For additional information regarding the meeting and to request a reasonable accommodation or materials in an alternative format, call Laura Durham at 703.746.5493 (TTY 703.838.4902) or e-mail laura.durham@alexandriava.gov.

Brenman Turf Field Project

andrew.r.johns to laura.durham
on

05/03/2010 08

Ms Durham,

I write to you as a resident of Alexandria and parent of three children who are active in a number of recreation programs organized by the City of Alexandria Parks & Recreation.

I would like to voice my support of the plans to convert the Brenman Soccer Field into a synthetic playing surface and provide lighting for the baseball field at Ben Brenman Park.

The City does not have nearly enough field capacity to support the various programs that it runs at this time, let alone accommodate any subsequent growth of youth or adult participation in field sports. The natural turf fields are in poor condition and suffer from severe overuse. This leads to an added risk of injury and affects the quality of play and subsequently restricts the skill development of youth soccer players in particular. Fields are often closed due to the saturated ground and have to be "rested" during the summer.

Installing a new synthetic turf field with lights will provide the City with a maintenance-free, all-weather, multi-sport facility that will allow for much increased capacity through an expanded playing surface and extended hours of use. In turn, the natural turf fields can be given the required recovery time so that they can be maintained as top quality playing surfaces for which they were intended e.g. Simpson Baseball Fields.

During these tight financial times we find ourselves in, it is essential that the City takes a lead in making sound, prudent financial decisions. Going ahead with the conversion of Brenman Soccer Field to an all-weather synthetic playing surface and adding lights to the Brenman Baseball Field will show that the City is committed to providing top quality recreational facilities for a wide group of sporting participants in its community, while ensuring that they are investing wisely in the community's future. I strongly support this project and sincerely hope that the City goes ahead with this upgrade so my children, and many future generations of children, benefit from the ability to play many sports at top quality facilities.

Yours Sincerely,

Andrew R Johnson,
FAA, Air Traffic Organization
AJT-6, Mission Support
202-385-8360

25

Support for artificial turf fields in Alexandria

Coleman, Tina to laura.durham

Laura,

My husband, three children, and I all live and play soccer in Alexandria City. We cannot show up for the meeting but I want you to know that we strongly support the decision to put in artificial turf fields. Alexandria city desperately needs upgraded fields. Practices and games are often cancelled due to rain or oversaturation and many cannot be made up due to more rain or scheduling problems. Even worse, I was practicing with my children during a soccer practice at Brenman and rolled my ankle running on the uneven field. This is dangerous for young and old alike (especially older ☺). Soccer is a great sport to help keep folks active and healthy. Installation of these artificial turfs with lighting will increase space and playing time for more players. Please support this fun form of exercise for our citizens and help us save money (taxes) on maintenance too!

Thanks,

Tina Coleman

we need more fields

Melanie Streed to laura.durham

05/02/2010 09:30

Dear Ms. Durham, I am writing to encourage you to make Brenman a synthetic turf field - the natural turf fields are not in good shape and the synthetic turf could be used in all weather without wear and tear. We need more soccer fields here in Alexandria. This would make the current spaces much more useful, especially if you add lights so that they can be used at night. Thanks, Melanie Streed

Turf and Lighting for Ben Brenman Fields

Hart, Christopher : laura.durham

Dear Ms. Durham,

As an Alexandrian (804 Circle Terrace) and parent, I want you to know that I **strongly support** the City's plans to create a lighted, synthetic turf field at Ben Brenman Park.

My wife and I have had six children play recreational and travel soccer through the Alexandria Soccer Association. My wife has even started playing some "masters" soccer. The natural turf fields that our City has traditionally used seem to me to be severely overburdened by the growing use of City residents. The natural turf fields have often become, effectively, dirt and grass-lump fields, which can increase the risk of danger to the players. So often, the kids' soccer games on natural turf have to be repeatedly rescheduled or even cancelled due to rain or poor weather. Don't we want to strongly encourage our kids to be outside getting exercise, running and kicking and sweating? I don't see the demand for these synthetic turf fields ever declining. Such fields will be attractive assets of the City for years to come and will encourage a more active citizenry.

I hope that you will take our thoughts into consideration on this important issue.

Best regards,
Chris Hart

804 Circle Terrace
Alexandria, VA 22302
(703) 739-1541

Lights at Ben Brenman Baseball Field

Anthony J. Roda : laura.durham

Laura, I am the father of Nick Roda, who has played in the Alexandria Little League (ALL) baseball program for the past five years. Before that, he played on the teams organized by Mac and Tamika for T-ball and coach pitch. I have been involved since T-ball as well -- manager, coach, all-star manager, ALL commissioner and current ALL board member.

I'm sure I don't have to tell you about the importance of sports, in general, and baseball, specifically, to our City's youth. I may be partial, but baseball teaches so many things -- teamwork, hard work, patience, humility and leadership to just name a few.

Since I have been involved, our City's younger players, who play on the 60-foot base path fields (Little Simpson, Brenman and Stevenson primarily), have had a real shortage of field time. With only one lighted field (Little Simpson), it is very difficult to get the practice and game time

necessary for all these children to learn the game and improve their skills. Throw in a little rain and playing time is really cut short.

I realize the City has embarked upon the project at John Adams to create a new quality 60-foot field. I am very pleased by that decision. But, in essence, Adams will simply replace Stevenson, which is low-lying and flooded in any type of rain. Therefore, even after Adams comes on line, we will be in roughly the same place regarding the number of fields and potential playing time.

Lights at Brenman, however, would make a major difference. It would allow for hours more of playing time each night. In particular, in the fall and early spring when it gets dark earlier, lights at Brenman would allow us to continue playing. It would have a significant positive impact on what ALL and the Rec Department can provide in the way of playing time for our City's youth. Thank you for your consideration of this request. Tony Roda

Lights at Ben Brennaman Park

Simmons, William : to laura.durham

Dear Ms Durham,

As a member of the community at 201 Cambridge Road, I would ask your support for the installation of lights at this newly renovated park. While I am sure the improvements in lighting have been discussed in detail, I hope the decision makers can realize the significance of the benefit lighting brings to the quality of life/recreation for many of the city's residents as well as the positive impression on visitors to Alexandria. The City does a wonderful job providing a great place to live, work, and recreate. This is one of those added benefits. It will not only benefit thousands of young people, but citizens of all ages. So, too, some people may experience some inconvenience, particularly if they make it their mission to find that inconvenience.

There is a price for progress, that price is relatively small in this case to those neighbors compared to the benefit to so many. Had the a vocal minority bullied their positions in other issues, we would not have the new Woodrow Wilson Bridge or even I-95 itself, and we would all be the poorer for that outcome! The City has heard the complaints and has done everything possible to minimize the impact on neighbors, I urge you to support this program.

--

Bill Simmons

Support turf fields

Katherine McCarron : to laura.durham

Dear Ms. Durham,

Please support turf playing fields for our kids. Team sports encourage kids to get exercise, which is good for their health and it means less time spent staring at screens or texting. Moreover, team sports encourage friendships, builds communities in our neighborhoods, and teaches team building.

I would also like to add:

The City does not have sufficient field capacity to accommodate the growth of youth and adult participation in field sports.

Our natural turf fields are in poor condition and suffer from severe overuse. The poor playing conditions increase the likelihood of injuries and affect the quality of the play. Fields are frequently closed due to rain or wet ground and cannot be used in the summer because they must be rested.

Installing a new synthetic turf field with lights will allow much greater field capacity since the field can be used year round in almost any weather conditions and after sunset.

Synthetic turf fields are also safer for the kids and adults and offer perfect playing conditions.

Converting a synthetic turf field makes significant economic sense.

One synthetic turf field offers the capacity of 2-3 natural turf fields, but unlike natural turf, requires almost no regular maintenance, reducing operating expenses significantly.

Adding lights to the baseball field will also help our youth sports community address the capacity issues.

Thank you for your support!

Katherine

Brenman Park soccer field

Mancuso, Gabrielle, to
VBAVACO : laura.durham

Good morning,

This email is in support of converting Brenman Park soccer field from natural to synthetic turf and install permanent lighting.

- o The City does not have sufficient field capacity to accommodate the growth of youth and adult participation in field sports.
- o Our natural turf fields are in poor condition and suffer from severe overuse. The poor playing conditions increase the likelihood of injuries and affect the quality of the play. Fields are frequently closed due to rain or wet ground and cannot be used in the summer because they must be rested.

49

- Installing a new synthetic turf field with lights will allow much greater field capacity since the field can be used year round in almost any weather conditions and after sunset.
- Synthetic turf fields are also safer for the kids and adults and offer perfect playing conditions.
- Converting a synthetic turf field makes significant economic sense. One synthetic turf field offers the capacity of 2-3 natural turf fields, but unlike natural turf, requires almost no regular maintenance, reducing operating expenses significantly.
- Adding lights to the baseball field will also help our youth sports community address the capacity issues.

Thank you for considering this project.

Gabrielle Mancuso
Program Analyst
Office of Business Process Integration (20C)
Veterans Benefits Administration
Tel- 202-461-1446
Fax- 202-461-9331

Brenman Park

Kevin Wojda to laura.durham

Laura,

I'm writing to encourage you to convert Brenman Park soccer field from natural to synthetic turf and install permanent lighting there and on the nearby baseball fields.

I'm from Rochester, NY and I'm constantly amazed at the difference between the field facilities that I grew up playing on and the ones my children use or will use in the future. While this is certainly a function of the space available in this densely populated community, I don't feel we've done the best with the assets we do have.

Our natural turf fields are in poor condition and suffer from severe overuse. The poor playing conditions increase the likelihood of injuries and affect the quality of the play. Fields are frequently closed due to rain or wet ground and cannot be used in the summer because they must be rested.

Installing a new synthetic turf field with lights will allow much greater field capacity since the field can be used year round in almost any weather conditions and after sunset.

Synthetic turf fields are also safer for the kids and adults and offer perfect playing conditions.

Converting a synthetic turf field makes significant economic sense. One synthetic turf field offers the capacity of 2-3 natural turf fields, but unlike natural turf, requires almost no regular maintenance, reducing operating expenses significantly.

Adding lights to the baseball field will also help our youth sports community address the capacity issues.

I know the independent consultant hired in 2006 made some excellent recommendations and I strongly support this project. I hope you will to.

Thanks,
-Kevin Wojda

Synthetic Turf and Lights at Brenman Park!

Carroll, Todd A CIV to
MSCHO ; laura.durham

Ms. Durham,

I am writing you to voice my support for Synthetic Turf and Lights at Brenman Park.

I am currently working as the field coordinator for ASA Travel Soccer program. Based on this experience, I can tell you that ASA does not have sufficient field capacity to support our current field requirements or to support our future requirements. Our natural turf fields are in poor condition and suffer from severe overuse. The poor playing

57

conditions increase the likelihood of injuries and affect the quality of the play. Fields are frequently closed due to rain or wet ground and cannot be used in the summer because they must be rested. Installing a new synthetic turf field with lights will allow much greater field capacity since the field can be used year round in almost any weather conditions and after sunset. Synthetic turf fields are also safer for the kids and adults and offer perfect playing conditions. Converting a synthetic turf field makes significant economic sense. One synthetic turf field offers the capacity of 2-3 natural turf field.

In addition to supporting our travel program I am currently coaching 2 recreation teams. Our recreation team are practicing and playing on increasingly poor and overcrowded fields. Adding additional turf fields will help here. My youngest daughter is playing on a 6 and under team and the number of kids playing at this age are doubled since my 11 son started playing 6 years ago. Getting turf and lights for Brenman is clearly another step in the right direction.

I truly appreciated your support in getting the synthetic turf and lights for Brenman Park.

Thanks,
Todd Carroll

Brenman Park soccer field -Support

DeJesus, Mirna L to
(CTR) : laura.durham

Mrs. Laura Durham:

I am writing you today to let you know that my family and I support the plan to **convert Brenman Park soccer field from natural to synthetic turf and install permanent lighting**, this is very important for the well being kids involved in sports, you know that the city does not have sufficient field capacity to accommodate the growth of youth and adult participation in field sports.

My oldest son is playing soccer this season and his brother will star next year, if you are a parent like me, you'll enjoyed my story and the reason behind my support "We are the proud parents of 2 boys , who are always on the run, non stop, full of energy every waking hour of the day. I never heard any of them admit or say that they were tired or ever volunteer for a nap...but the miracle happened last month. Right after the **first soccer practice**. He was so tired by 6pm, that as soonest we arrived home he asked me "May I take a short nap after my bath?" and guest what? He passes out through the next morning!! My husband and I were stunned couldn't believed it!! We kept checking on him to make sure he was ok? But he was out, snoring all night long, and this is been happening ever since, He loves the soccer practices, and games. My husband and I can't wait to have our second son enrolled next year, ..(:

52

Our natural turf fields are in poor condition and suffer from severe overuse. The poor playing conditions increase the likelihood of injuries and affect the quality of the play for young children. Fields are frequently closed due to rain or wet ground this will required make-up days that will run on Sunday's, and cannot be used in the summer because they must be rested, last Saturday many kids got distracted because some baby frogs where running on the field.

Installing a new synthetic turf field with lights will allow much greater field capacity since the field can be used **year round** in almost **any weather conditions and after sunset**. Synthetic turf fields are also safer for the kids and adults and offer perfect playing conditions free of allergens.

One synthetic turf field offers the capacity of 2-3 natural turf fields, but unlike natural turf, requires almost no regular maintenance, reducing operating expenses significantly. Adding lights to the baseball field will also help our youth sports community address the capacity issues. Converting a synthetic turf field makes significant economic sense.

Mirna DeJesus

Executive Assistant

Disaster Recovery Division

U.S. Immigration and Customs Enforcement

Contractor: Alon, Inc.

* Desk 202 - 732 - 2416

* Fax 202 - 732 - 2436

* BB 202 - 306 - 6380

* mirna.dejesus@dhs.gov

The future belongs to those who believe in the beauty of their dreams.

(Eleanor Roosevelt)

Synthetic turf field and lights at Brenman Park

courtneysmith6 to laura.durham
29

Ms. Durham:

I am an Alexandria resident with two eight year old boys who participate in sport leagues in the city. I am writing to express my strong support for the installation of a synthetic turf field with lights in Brenman Park. With the rate of childhood obesity increasing at an alarming pace, the city's responsibility to facilitate exercise and healthy recreation opportunities is a serious one. For this reason and those that follow, please move this project forward.

- The City does not have sufficient field capacity to accommodate the growth of youth and adult participation in field sports.

53

- Our natural turf fields are in poor condition and suffer from severe overuse. The poor playing conditions increase the likelihood of injuries and affect the quality of the play. Fields are frequently closed due to rain or wet ground and cannot be used in the summer because they must be rested.
- Installing a new synthetic turf field with lights will allow much greater field capacity since the field can be used year round in almost any weather conditions and after sunset.
- Synthetic turf fields are also safer for the kids and adults and offer perfect playing conditions.
- Converting a synthetic turf field makes significant economic sense. One synthetic turf field offers the capacity of 2-3 natural turf fields, but unlike natural turf, requires almost no regular maintenance, reducing operating expenses significantly.
- Adding lights to the baseball field will also help our youth sports community address the capacity issues.

Courtney Smith
 629 Oakley Pl.
 Alexandria 22302
 703-944-9445

Ben Brenman fields

shellymorg to
 on : laura durham

Hello Ms. Durham,

I am writing to you in support of the City of Alexandria upgrading the athletic fields at Ben Brenman Park. My husband has coached ASA soccer teams for the past 10 years, and my daughter still plays on a U16 team. We have often felt that the City has not kept up with the demand for decent athletic fields. There are a number of fields around Alexandria that are in dreadful condition, and we are sadly lacking fields with lights. It is embarrassing to have teams from other parts of Fairfax come to Alexandria and play on our sub-standard fields. In addition, it is dangerous for our children and adult athletes to play on these fields that are uneven, and laden with potholes and bare spots. It is time to address this problem! Although the proposed upgrades to Ben Brenman will not be a complete solution, it would be a great start. From what I understand, funding is not an issue, so I truly hope that the City Council and Planning Commission will see fit to move ahead with the proposed plan at Ben Brenman Park.

Est

Regards,
Shelly Morgan
915 North Overlook Drive
Alexandria
22305

Turf at Ben Brenman Park

Colucci, to
Nicholas : laura.durham

cc najcol

Ms. Durham – We wholly endorse the idea of putting an artificial surface, and installing lights at the softball field, at Ben Brenman park. First, we do not believe the city has enough recreational space for the many adult and youth teams that participate in the area. We have two sons, who both play soccer for the City of Alexandria. Our younger son, Daniel, is five and just started his career with ASA. Our older son, John, plays for the Under 11 travel soccer team, which is currently undefeated in league play. They practice and play their home games at Ben Brenman park. More specifically, they play and practice within the outfield of the softball field. The conditions are not ideal for soccer. There are bare patches and clumps of grass that make play uneven, at best, and dangerous, at worst. Just this week we noticed at least four “hands balls” that were caused by an uneven playing surface (i.e., the ball bounced in an unanticipated direction).

Second, we do not believe the city has enough recreational space for the many adult and youth teams that participate in the area. Our son, John, also plays lacrosse for the City of Alexandria (they are also undefeated). The primary practice is field is at Patrick Henry elementary, which is another field that is being utilized only because it’s available and not because it’s ideal lacrosse. Luckily, our son’s coach has been able to secure the turf field at Minnie Howard for some of the practices. The difference is night and day. The kids are more comfortable, the play is faster and truer, and the team is able to practice in the evenings because of the lights. The fact that Patrick Henry is a primary field for a lacrosse team speaks directly to the availability of quality fields within the area. Third, when compared to the maintenance costs associated with a well-groomed grass field, the economic costs are fairly evident. For a one-time installation fee, the field can be used for years to come with very little maintenance. Fourth, turf fields are very rarely closed because of weather conditions. Our older son’s teams have both practiced and played games at Minnie Howard when other field are closed.

Finally, we believe the city of Alexandria is making strides in fielding teams that can compete with other municipalities within the greater metropolitan area, including teams

55

from much larger jurisdictions, such as Fairfax County. We know other jurisdictions have moved to installing new fields with, and converting existing fields to, synthetic turf. In a sense, turf fields provide a competitive advantage for all of those teams for the reasons we have outlined above. We urge the city to complete the proposed projects.

Sincerely,

Nicholas and Amy Colucci

Ben Brenman Soccer Fields--Support Synthetic Field with Lighting

Lent III, cc laura.durham
Norman :

Ms. Dunham,

Please see below email. Thanks.

Norm

Norman F. Lent III
Executive Vice President

Dow Lohnes
Government Strategies LLC

1200 New Hampshire Avenue, NW Suite 800
Washington, DC 20036-6802
T 202-776-2327
M 202-669-5099
F 202-776-4327
E nlent@dowlohnescov.com
www.dowlohnescov.com

This email, including attachments, is confidential and may include proprietary information. It may be used only by the person or entity to which it is addressed. If the reader of this email is not the intended recipient, or his or her authorized agent, the reader is hereby (i) notified that any use, dissemination, distribution or duplication of this email is prohibited, (ii) directed to immediately notify the sender by return email (or otherwise), and (iii) directed to immediately and permanently delete this email, including attachments, from his or her email system and other records.

From: contactus@alexandriava.gov [<mailto:contactus@alexandriava.gov>]
Sent: Monday, May 03, 2010 1:50 PM
To: Lent III, Norman
Subject: COA Contact Us Confirmation Message

50

City of Alexandria E-mail Confirmation

Thank you for contacting the City of Alexandria.
Your message has been forwarded to the appropriate City staff, who will reply to you within three business days.
If you do not receive a response within this timeframe, please contact Director of Citizen Assistance Rose Williams Boyd at rose.boyd@alexandriava.gov or call the Citizen Assistance Office at 703-746-4800.

A copy of the message you submitted appears below.

Time: [Mon May 03, 2010 13:49:39] Message ID: [21282]

Issue Type: Mayor, Vice Mayor, and Council Members
First Name: Norm
Last Name: Lent
Street Address: 3529 Malvern Ct
City: Alexandria
State: VA
Zip: 22304-1852
Phone: 2027762327
Email Address: nlent@dowlohn.gov
Subject: Ben Brenman Soccer Fields--Support Synthetic Field with Lighting
Thank you again for the Council's hard work over the last several years to improve Alexandria's various playing fields and other recreational facilities.

I write to support the installation of a synthetic turf field with lights at Ben Brenman. Both my kids play, have played or will play soccer, softball, lacrosse and basketball and enjoy the City's sports facilities and parks.

Key points--
1--The City does not have sufficient field capacity to accommodate the growth of youth and adult participation in field sports.
2--The City's natural turf fields are in poor condition and suffer from severe overuse. The poor playing conditions increase the likelihood of injuries and affect the quality of the play.
Fields are frequently closed due to rain or wet ground and cannot be used in the summer because they must be rested.
3--Installing a new synthetic turf field with lights will allow much greater field capacity since the field can be used year round in almost any weather conditions and after

sunset.

4--Synthetic turf fields are safer for the kids and adults and

offer perfect playing conditions.

5--Converting a synthetic turf field

makes significant economic sense. One synthetic turf field offers the

capacity of 2-3 natural turf fields, but unlike natural turf, requires

almost no regular maintenance, reducing operating expenses significantly.

6--Adding lights to the Ben Brenman baseball field will also help our

youth sports community address the capacity issues.

I appreciate your

service on the Council, and thank you for your consideration of my views.

Norm

Norm Lent
3529 Malvern Ct
Alexandria VA 22304-1852



Fw: Synthetic turf and lights
Laura Durham to: Nathan Randall
Cc: Ron Kagawa, Kendra Jacobs, Bethany Carton, Roger Blakeley

05/03/2010 06:00 PM

One more email just came in.

Laura Durham
Open Space Coordinator
Recreation, Parks and Cultural Activities
City of Alexandria
703-746-5493

— Forwarded by Laura Durham/Alex on 05/03/2010 06:01 PM —

From: "Balan Ayyar" <bkayyar@mindspring.com>
To: <laura.durham@alexandriava.gov>
Date: 05/03/2010 05:47 PM
Subject: Synthetic turf and lights

Dear Ms Durham,

I am writing you to voice my support for Synthetic Turf and Lights at Brenman Park. My daughter currently plays on the Alexandria soccer association league and is continually asked to play fields that are not maintained and sometimes dangerous. For example my daughter practices at George Mason school right next to a baseball diamond! I pray every practice that the girls won't be hit by a fly ball. A lighted field would allow longer practice times so the entire league isn't battling for field time in a 2 hour time frame. Synthetic turf is also safer and would allow less rained out games and make up games.

I truly appreciated your support in getting the synthetic turf and lights for Brenman Park.

Thanks,
Kristin

59

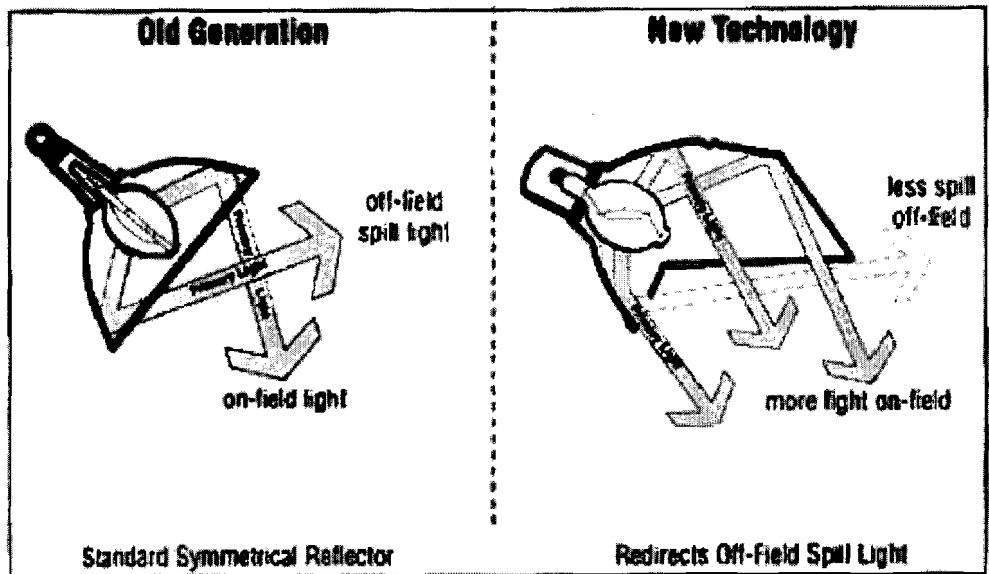
Ben Brenman Park Lighting 4800 Brenman Park Drive

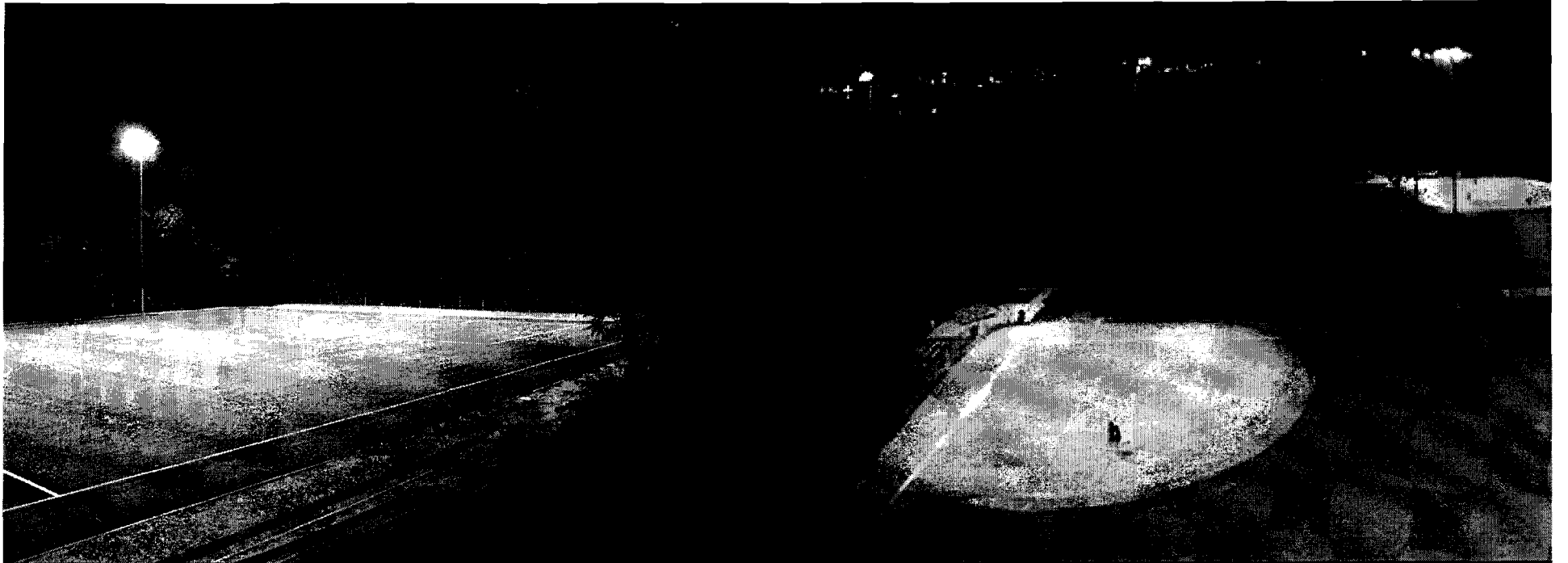
- Request to add lights to athletic and softball fields
- Four poles at each field
- Lights turned off at 10pm daily



Analysis

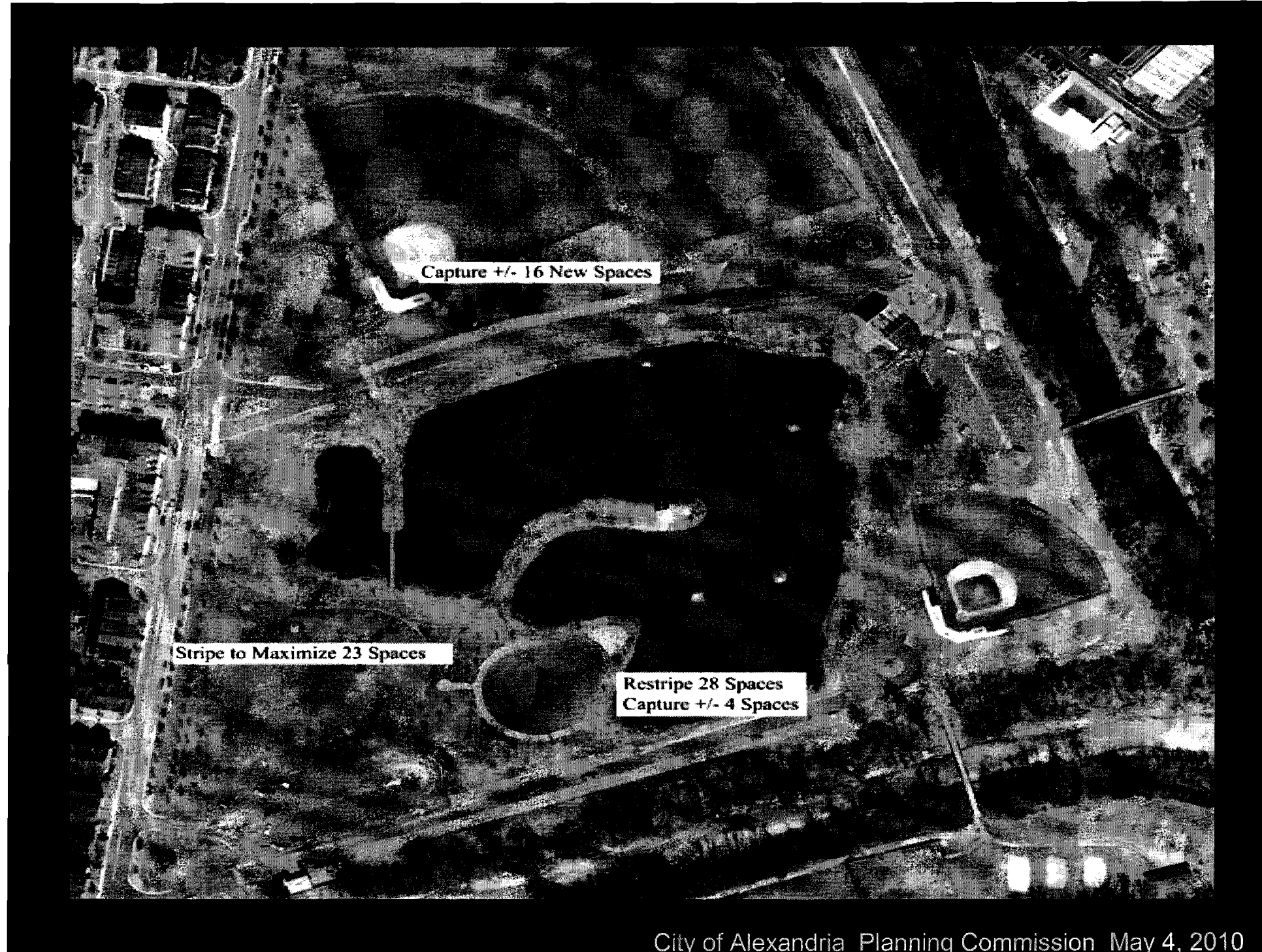
- Nearest residences are approximately 260 feet away
- Modern technology will reduce spill-over from lights
- Field lighting not expected to reach residences
- Staff and Planning Commission recommend **APPROVAL**













COA Contact Us: Synthetic Turf and Lights at Brenman Park

william.euille, frank.fannon, kerry.donley,
Jeff Newhouse to: alicia.hughes, council, delpepper, paulcsmedberg,
rose.boyd, jackie.henderson, elaine.scott,
rob.krupicka

05/10/2010 11:15 AM

Please respond to Jeff Newhouse

Time: [Mon May 10, 2010 11:15:51] Message ID: [21489]

Issue Type: Mayor, Vice Mayor, and Council Members
First Name: Jeff
Last Name: Newhouse
Street Address: 810 South Overlook Drive
City: Alexandria
State: VA
Zip: 22305
Phone: 703-549-4378
Email Address: jrzew@verizon.net
Subject: Synthetic Turf and Lights at Brenman Park

Hello,

I fully support your efforts to improve Brenman Park with field lighting and artificial turf, and would consider it tax revenue

well-spent.

I am a board member with Alexandria Soccer Association

(ASA) and have been an Alexandria resident since 1998. I have also been

involved with Alexandria Little League in the past as an assistant manager.

One of my roles with ASA is Recreation Team Practice Field

Comments: Coordinator so I know full well the demand for quality practice space

(especially in the west end). Improving Brenman would help tremendously in this regard.

I also participate in your adult co-rec soccer program.

Most of our games are played at Joseph Hensley Park, which is usually

ground into a fine brown powder at the end of each season. Having

Brenman as a night-game option would allow the city to
improve conditions

at Hensley.

Please vote yes!



COA Contact Us: Ben Brenman Park synthetic field and lights project

Ricardo Hendi to: william.euille, frank.fannon, kerry.donley,
alicia.hughes, council, delpepper, paulcsmedberg,
rose.boyd, jackie.henderson, elaine.scott,
rob.krupicka

05/08/2010 07:46 AM

Please respond to Ricardo Hendi

Time: [Sat May 08, 2010 07:46:52] Message ID: [21455]

Issue Type: Mayor, Vice Mayor, and Council Members
First Name: Ricardo
Last Name: Hendi
Street Address: 116 East Rosemont Avenue
City: Alexandria
State: VA
Zip: 22301
Phone: 703-867-4880
Email Address: rahdac@gmail.com
Subject: Ben Brenman Park synthetic field and lights project

Dear Alexandria City Council:

This e-mail is to voice my strong support

in favour of having the The Alexandria City Council and Planning

Commission approve the plan to convert Brenman Park soccer field from

natural to synthetic turf and
install permanent lighting.

The

reasons I support this project are:

* The City does not have

sufficient field capacity to accommodate the growth of youth and adult

participation in field sports.

* Our natural turf fields are in

poor condition and suffer from severe overuse. The poor playing

conditions increase the likelihood of injuries and affect the quality of

the play. Fields are frequently closed

due to rain or wet ground and

cannot be used in the summer because they must be rested.

*

Comments:

Installing a new synthetic turf field with lights will allow much greater

field capacity since the field
can be used year round in almost any

weather conditions and after sunset.

* Synthetic turf fields are

also safer for the kids and adults and offer perfect playing conditions.

*

Converting a synthetic turf field makes significant economic sense.

One synthetic turf field offers
the capacity of 2-3 natural turf fields,

but unlike natural turf, requires almost no regular maintenance,
reducing

operating expenses significantly.

* Adding lights to the baseball

field will also help our youth sports community address the capacity

issues.

Thank You City Council for considering my support for this

project,

Sincerely,

Ricardo Hendi



COA Contact Us: Convert Brenman Park soccer field

Elizabeth Moon to: william.euille, frank.fannon, kerry.donley,
alicia.hughes, council, delpepper, paulcsmedberg,
rose.boyd, jackie.henderson, elaine.scott,
rob.krupicka

05/03/2010 11:17 AM

Please respond to Elizabeth Moon

Time: [Mon May 03, 2010 11:17:22] Message ID: [21268]

Issue Type: Mayor, Vice Mayor, and Council Members
First Name: Elizabeth
Last Name: Moon
Street Address: 110 West Mason Ave
City: Alexandria
State: VA
Zip: 22301
Phone: 7038360080
Email Address: ecmoon@focusdatasolutions.com
Subject: Convert Brenman Park soccer field

Dear Members of City Council:

I write today in support of the plan to

convert Brenman Park soccer field from natural to synthetic turf and

install permanent lighting. Our family has been involved with the

Alexandria Soccer Association for six years. Both my child and my husband

play soccer and my husband is a youth coach. We are well aware of the many

challenges the City of Alexandria faces. I cannot begin to share the

number of times games have been canceled due to weather or field schedules

juggled to accommodate the lack of space.

Please consider the following

benefits of this plan:

- The City does not have sufficient field

capacity to accommodate the growth of youth and adult participation in

field sports.

- Our natural turf fields are in poor condition and suffer

from severe overuse. The poor playing conditions increase the likelihood

Comments:

of injuries and affect the quality of the play. Fields are frequently closed due to rain or wet ground and cannot be used in the summer because they must be rested.

- Installing a new synthetic turf field with lights

will allow much greater field capacity since the field can be used year

round in almost any weather conditions and after sunset.

- Synthetic turf

fields are also safer for the kids and adults and offer perfect playing conditions.

- Converting a synthetic turf field makes significant economic

sense. One synthetic turf field offers the capacity of 2-3 natural turf

fields, but unlike natural turf, requires almost no regular maintenance,

reducing operating expenses significantly.

- Adding lights to the baseball

field will also help our youth sports community address the capacity

issues.

I strongly urge you to support this plan and improve athletics

in the City of Alexandria.



COA Contact Us: support for turf soccer field

Katherine McCarron to: william.euille, frank.fannon, kerry.donley,
alicia.hughes, council, delpepper,
paulcsmedberg, rose.boyd, jackie.henderson,
elaine.scott, rob.krupicka

05/03/2010 11:15 AM

Please respond to Katherine McCarron

Time: [Mon May 03, 2010 11:15:08] Message ID: [21265]

Issue Type: Mayor, Vice Mayor, and Council Members
First Name: Katherine
Last Name: McCarron
Street Address: 119 East Walnut Street
City: Alexandria
State: VA
Zip: 22301
Phone: 703-684-5118
Email Address: kemccarron@gmail.com
Subject: support for turf soccer field

Dear Alexandria City Council,

Please support playing fields for our

kids. Team sports encourage kids to get exercise, which is good for their health and it means less time spent staring at screens or texting.

Moreover, team sports encourage friendships, builds communities in our neighborhoods, and teaches team building.

I would also like to add:
The

City does not have sufficient field capacity to accommodate the growth of youth and adult participation in field sports.
Our natural turf fields are

in poor condition and suffer from severe overuse. The poor playing conditions increase the likelihood of injuries and affect the quality of the play. Fields are frequently closed due to rain or wet ground and cannot be used in the summer because they must be rested.
Installing a new

Comments:

synthetic turf field with lights will allow much greater field capacity

since the field can be used year round in almost any weather conditions and after sunset.

Synthetic turf fields are also safer for the kids and adults

and offer perfect playing conditions.

Converting a synthetic turf field

makes significant economic sense. One synthetic turf field offers the

capacity of 2-3 natural turf fields, but unlike natural turf, requires

almost no regular maintenance, reducing operating expenses

significantly.

Adding lights to the baseball field will also help our

youth sports community address the capacity issues.

Thank you for your

support!

Katherine



COA Contact Us: Synthetic Turf Field at Ben Brenman Park

Christopher Hart to: william.euille, frank.fannon, kerry.donley,
alicia.hughes, council, delpepper, paulcsmedberg,
rose.boyd, jackie.henderson, elaine.scott,
rob.krupicka

05/03/2010 09:33 AM

Please respond to Christopher Hart

Time: [Mon May 03, 2010 09:33:36] Message ID: [21258]

Issue Type: Mayor, Vice Mayor, and Council Members
First Name: Christopher
Last Name: Hart
Street Address: 804 Circle Terrace
City: Alexandria
State: VA
Zip: 22302
Phone: 703-739-1541
Email Address: chart@lockelord.com
Subject: Synthetic Turf Field at Ben Brenman Park
As an Alexandrian (804 Circle Terrace) and parent, I want you to know that I strongly support the City's plans to create a lighted, synthetic turf field at Ben Brenman Park.
My wife and I have had six children play recreational and travel soccer through the Alexandria Soccer Association. My wife has even started playing some "masters" soccer. The natural turf fields that our City has traditionally used seem to me to be severely overburdened by the growing use of City residents. The natural turf fields have often become, effectively, dirt and grass-lump fields, which can increase the risk of danger to the players. So often, the kids' soccer games on natural turf have to be repeatedly rescheduled or even cancelled due to rain or poor weather. Don't we want to strongly encourage our kids to be outside getting exercise, running and kicking and sweating? I don't see the demand for these synthetic turf fields ever declining. Such fields will be attractive assets of the City for years to

come and will encourage a more active citizenry.

I hope that you will

take our thoughts into consideration on this important issue.

Best

regards,
Chris Hart

804 Circle Terrace
Alexandria, VA 22302
(703)

739-1541



COA Contact Us: Ben Brenman Synthetic Turf Field Project

william.euille, frank.fannon, kerry.donley,
Andrew Johnson to: alicia.hughes, council, delpepper, paulcsmedberg,
rose.boyd, jackie.henderson, elaine.scott,
rob.krupicka

05/03/2010 08:45 AM

Please respond to Andrew Johnson

Time: [Mon May 03, 2010 08:45:46] Message ID: [21254]

Issue Type: Mayor, Vice Mayor, and Council Members
First Name: Andrew
Last Name: Johnson
Street Address: 2928 Richmond Lane,
City: Alexandria
State: VA
Zip: 22305
Phone: 703 519 9868
Email Address: brityankdm@comcast.net
Subject: Ben Brenman Synthetic Turf Field Project
Members of Alexandria City Council,

I write to you as a resident of

Alexandria and parent of three children who are active in a number of recreation programs organized by the City of Alexandria Parks & Recreation. I would like to voice my support of the plans to convert the Brenman Soccer Field into a synthetic playing surface and provide lighting for the baseball field at Ben Brenman Park.

The City does not have

nearly enough field capacity to support the various programs that it runs at this time, let alone accommodate any subsequent growth of youth or adult participation in field sports. The natural turf fields are in poor condition and suffer from severe overuse. This leads to an added risk of injury and affects the quality of play and subsequently restricts the skill development of youth soccer players in particular. Fields are often closed due to the saturated ground and have to be "rested" during the

summer.

Installing a new synthetic turf field with lights will provide the City with a maintenance-free, all-weather, multi-sport facility that

Comments: will allow for much increased capacity through an expanded playing surface and extended hours of use. In turn, the natural turf fields can be given the required recovery time so that they can be maintained as top quality playing surfaces for which they were intended e.g. Simpson Baseball Fields.

During these tight financial times we find ourselves in, it is essential that the City takes a lead in making sound, prudent financial decisions. Going ahead with the conversion of Brenman Soccer Field to an all-weather synthetic playing surface and adding lights to the Brenman Baseball Field will show that the City is committed to providing top quality recreational facilities for a wide group of sporting participants in its community, while ensuring that they are investing wisely in the community's future. I strongly support this project and sincerely hope that the City goes ahead with this upgrade so my children, and many future generations of children, benefit from the ability to play many sports at top quality facilities.

Yours Sincerely,

Andrew Johnson



COA Contact Us: I support artificial turf soccer fields in Alexandria City

Tina Coleman to: william.euille, frank.fannon, kerry.donley,
alicia.hughes, council, delpepper, paulcsmedberg,
rose.boyd, jackie.henderson, elaine.scott,
rob.krupicka

05/03/2010 06:16 AM

Please respond to Tina Coleman

Time: [Mon May 03, 2010 06:16:28] Message ID: [21252]

Issue Type: Mayor, Vice Mayor, and Council Members
First Name: Tina
Last Name: Coleman
Street Address: 2929 King Street
City: Alexandria
State: VA
Zip: 22302
Phone: 703-836-9550
Email Address: tmcoleman@scitor.com
Subject: I support artificial turf soccer fields in Alexandria City
My husband, three children, and I all live and play soccer in Alexandria City. We cannot show up for the meeting but I want you to know that we strongly support the decision to put in artificial turf fields. Alexandria city desperately needs upgraded fields. Practices and games are often cancelled due to rain or oversaturation and many cannot be made up due to more rain or scheduling problems. Even worse, I was practicing with my children during a soccer practice at Brenman and rolled my ankle running on the uneven field. This is dangerous for young and old alike. Soccer is a great sport to help keep folks active and healthy. Installation of these artificial turfs with lighting will increase space and playing time for more players. Please support this fun form of exercise for our citizens and help us save money (taxes) on maintenance too!



COA Contact Us: synthetic turf soccer fields

Melanie Streed to: william.euille, frank.fannon, kerry.donley,
alicia.hughes, council, delpepper, paulcsmedberg,
rose.boyd, jackie.henderson, elaine.scott,
rob.krupicka

05/02/2010 09:32 PM

Please respond to Melanie Streed

Time: [Sun May 02, 2010 21:32:17] Message ID: [21247]

Issue Type: Mayor, Vice Mayor, and Council Members

First Name: Melanie

Last Name: Streed

Street Address: 1200 N. Quaker Lane

City: Alexandria

State: VA

Zip: 22302

Phone:

Email Address: mstreed@sssas.org

Subject: synthetic turf soccer fields

Dear City Council, I am writing to encourage you to make Brenman a

synthetic turf field - the natural turf fields are not in good shape and

the synthetic turf could be used in all weather without wear and tear. We

Comments:

need more soccer fields here in Alexandria. This would make the current

spaces much more useful, especially if you add lights so that they can be

used at night. Thanks, Melanie Streed



COA Contact Us: Soccer in Alexandria

Herve Roussel to: william.euille, frank.fannon, kerry.donley,
alicia.hughes, council, delpepper, paulcsmedberg,
rose.boyd, jackie.henderson, elaine.scott,
rob.krupicka

05/02/2010 07:02 PM

Please respond to Herve Roussel

Time: [Sun May 02, 2010 19:02:45] Message ID: [21245]

Issue Type: Mayor, Vice Mayor, and Council Members

First Name: Herve

Last Name: Roussel

Street Address: 3650 S Glebe Road

City: Arlington

State: VA

Zip: 2

Phone:

Email Address: herveroussel1@hotmail.com

Subject: Soccer in Alexandria

n 2006, an independent consultant hired by the Alexandria City Council concluded that the City only had half the athletic field capacity needed to meet the demand from youth and adult sports. Given the shortage of available land in our densely developed community, the consultant recommended that the City convert existing natural turf fields to synthetic turf and add lighting to them. In doing so, the consultant asserted that the City would greatly increase its capacity and improve field playing conditions while significantly reducing the City's operating costs. The primary benefits of synthetic turf are that they:

- * Allow intensive use without wearing, so fields can be used year round without any need for rest
- * Are constructed with a drainage system that removes water quickly

from the playing surface even after torrential rains, precluding the need

to cancel practices and reschedule games
* Are perfectly flat so the

soccer ball rolls instead of hops; all bounces are true
* Require very

minimal maintenance
* Reduce injuries since the field is softer and there

are no ruts, rocks, or bare patches.

When lights are added, multiple

groups can use the field in consecutive sessions without the constraint of

sunlight. For
ASA, this means having up to three consecutive practices on

one field space starting at 5 pm on any weekday throughout
the year.

Currently, we can only run one practice on a field space on a
weekday.

Each new or converted field costs about \$1 million to

construct. The skin -- or carpet -- lasts for 10 years before it needs to

be replaced. The foundation and drainage lasts for decades. The cost of

construction is funded from capital budget funds
and is amortized over 20

years. Combined with cost savings from eliminating the labor-intensive

tasks of mowing, seeding
and fertilizing natural turf, the annual cost to

citizens is not significant.

After the consultant report was issued, ASA

became the leading advocate of improved playing fields and expanded field

capacity in the City of Alexandria in close partnership with the City's

Department of Recreation, Parks and Cultural Affairs,
other youth sports

Comments: groups, including Alexandria's Little League, lacrosse, football and rugby

communities. These efforts
have borne fruit. Since 2007, the Fort Ward

Park and Minnie Howard fields have been renovated with synthetic turf and

lights. While both were envisioned to be soccer fields, the growth of lacrosse, adult sports, and TC Williams sports programs has limited ASA's use of Minnie Howard's field. This has been disappointing for the soccer community and our capacity issues continue.

The City's current capital improvement budget includes funding for renovating one more synthetic turf field with lights. RPCA has selected the large soccer field at Brenman Park for this project. As currently designed, the renovation will expand the field to 120 by 75 yards making it the largest soccer field in Alexandria, perfect for our U15-19 high school age teams. In addition, the increased size will allow us to run two side-by-side small-sided games at that location, perfect for our U9-U12 teams. With Fort Ward (110 by 60 yards), perfectly suited for our U13-14 age group, and also usable for one U9-12 game at a time, we will have something for all U9+ age groups on synthetic turf and under the lights. And we will have greatly increased scheduling flexibility.

More is planned. An agreement between the City and VDOT during the construction of the Woodrow Wilson bridge called for a land swap that has provided the City with a recreational site that will host two more full-sided synthetic turf soccer fields with lights as well as a new softball field for TC Williams and other users. The Witter Road site for these facilities is situated between Duke Street (behind Land Rover), Telegraph Road and the railroad/Metro tracks. In addition, the developers of Potomac Yards will construct two natural turf fields east of Simpson Field where the old Route 1 bridge was located. These will

replace the two fields currently in use at Potomac Yards.

Whether your

children are currently playing at the U9-U19 levels or not, everyone will

benefit from these changes as the
construction of synthetic turf fields

with lights greatly reduces the intensity of use on our natural turf

fields, while improving
their playing conditions.



COA Contact Us: Brenman Park

william.euille, frank.fannon, kerry.donley,
Kevin Wojda to: alicia.hughes, council, delpepper, paulcsmedberg,
rose.boyd, jackie.henderson, elaine.scott, rob.krupicka
Please respond to Kevin Wojda

05/03/2010 11:52 AM

Time: [Mon May 03, 2010 11:52:48] Message ID: [21272]

Issue Type: Mayor, Vice Mayor, and Council Members
First Name: Kevin
Last Name: Wojda
Street Address: 308 Lamond PI
City: Alexandria
State: VA
Zip: 22314
Phone: 7037392427
Email Address: kwojda@yahoo.com
Subject: Brenman Park

I'm writing to encourage you to convert Brenman Park soccer field from natural to synthetic turf and install permanent lighting there and on the nearby baseball field.

I'm from Rochester, NY and I'm constantly amazed at the difference between the field facilities that I grew up playing on and the ones my children use or will use in the future. While this is certainly a function of the space available in this densely populated community, I don't feel we've done the best with the assets we do have.

Our natural turf fields are in poor condition and suffer from severe overuse. The poor playing conditions increase the likelihood of injuries and affect the quality of the play. Fields are frequently closed due to rain or wet ground and cannot be used in the summer because they must be rested.

Installing a new synthetic turf field with lights will allow much greater field capacity since the field can be used year round in

Comments: almost any weather conditions and after sunset.

Synthetic turf fields

are also safer for the kids and adults and offer perfect playing conditions.

Converting a synthetic turf field makes significant economic sense. One synthetic turf field offers the capacity of 2-3 natural turf fields, but unlike natural turf, requires almost no regular maintenance, reducing operating expenses significantly.

Adding lights to the baseball

field will also help our youth sports community address the capacity issues.

I know the independent consultant hired by your body in 2006 made some excellent recommendations and I strongly support this project. I hope you will to.

Thanks,
-Kevin Wojda



COA Contact Us: Turf Fields at Brenman Pack

Mary Beth Healy to: william.euille, frank.fannon, kerry.donley,
alicia.hughes, council, delpepper, paulcsmedberg,
rose.boyd, jackie.henderson, elaine.scott,
rob.krupicka

05/03/2010 11:58 AM

Please respond to Mary Beth Healy

Time: [Mon May 03, 2010 11:58:22] Message ID: [21274]

Issue Type: Mayor, Vice Mayor, and Council Members
First Name: Mary Beth
Last Name: Healy
Street Address: 3106A Russell Road
City: Alexandria
State: VA
Zip: 22305
Phone: 703-548-8974
Email Address: nittany81@gmail.com
Subject: Turf Fields at Brenman Pack

Dear Mr. Mayor and City Council Members,

I'd like to give my strong

support and backing to installing a turf field at Ben Brenman Park as was recommended and supported by the independent consultant hired by the Council in 2006. The City does not have sufficient field capacity to accommodate the growth of youth and adult participation in field sports.

Our natural turf fields are in poor condition and suffer from severe overuse. The poor playing conditions increase the likelihood of injuries and affect the quality of the play. Fields are frequently closed due to rain or wet ground and cannot be used in the summer because they must be rested. Installing a new synthetic turf field with lights will allow much

Comments: greater field capacity since the field can be used year round in almost any weather conditions and after sunset. Synthetic turf fields are also safer for the kids and adults and offer perfect playing conditions. Converting a synthetic turf field makes significant economic sense. One synthetic turf

field offers the capacity of 2-3 natural turf fields, but unlike natural turf, requires almost no regular maintenance, reducing operating expenses significantly. Adding lights to the baseball field will also help our youth sports community address the capacity issues.

Thank you for your attention and for your service to the city.

Mary Beth Healy



COA Contact Us: support the plan to convert Brenman Park soccer field from natural to synthetic

MIRNA DEJESUS to: william.euille, frank.fannon, kerry.donley,
alicia.hughes, council, delpepper,
paulcsmberg, rose.boyd, jackie.henderson,
elaine.scott, rob.krupicka

05/03/2010 12:20 PM

Please respond to MIRNA DEJESUS

Time: [Mon May 03, 2010 12:20:20] Message ID: [21275]

Issue Type: Mayor, Vice Mayor, and Council Members
First Name: MIRNA
Last Name: DEJESUS
Street Address: 3801 russell Road
Alexandria va 22305
City: ALEXANDRIA
State: VA
Zip: 22305
Phone: 202-306-6380
Email Address: MIRNA.DEJESUS@DHS.GOV
Subject: support the plan to convert Brenman Park soccer field from natural to
synthetic

To the City council:
I am writing you today to let you know that my family
and I support the plan to convert Brenman Park soccer field from natural to
synthetic turf and install permanent lighting, this is very important for
the well being kids involved in sports, you know that the city does not
have sufficient field capacity to accommodate the growth of youth and adult
participation in field sports.
My oldest son is playing soccer this
season and his brother will star next year, if you are a parent like me,
you'll enjoyed my story and the reason behind my support "We are the proud
parents of 2 boys , who are always on the run, non stop, full of energy
every waking hour of the day. I never heard any of them admit or say that
they were tired or ever volunteer for a nap...but the miracle happened last
month. Right after the first soccer practice. He was so tired by 6pm, that

as soonest we arrived home he asked me "May I take a short nap after my bath?" and guess what? He passes out through the next morning!! My husband and I were stunned couldn't believe it!! We kept checking on him to make sure he was ok? But he was out, snoring all night long, and this is been happening ever since, He loves the soccer practices, and games. My husband and I can't wait to have our second son enrolled next year, ..(:
Our

Comments:

natural turf fields are in poor condition and suffer from severe overuse. The poor playing conditions increase the likelihood of injuries and affect the quality of the play for young children. Fields are frequently closed due to rain or wet ground this will required make-up days that will run on Sunday's, and cannot be used in the summer because they must be rested, last Saturday many kids got distracted because some baby frogs where running on the field.
Installing a new synthetic turf field with lights will allow much greater field capacity since the field can be used year round in almost any weather conditions and after sunset. Synthetic turf fields are also safer for the kids and adults and offer perfect playing conditions free of allergens.
One synthetic turf field offers the capacity of 2-3 natural turf fields, but unlike natural turf, requires almost no regular maintenance, reducing operating expenses significantly. Adding lights to the baseball field will also help our youth sports community address the capacity issues. Converting a synthetic turf field makes significant economic sense.



COA Contact Us: Brenman park soccer field

Robert Clark to: william.euille, frank.fannon, kerry.donley,
alicia.hughes, council, delpepper, paulcsmedberg,
rose.boyd, jackie.henderson, elaine.scott,
rob.krupicka

05/04/2010 09:24 PM

Please respond to Robert Clark

Time: [Tue May 04, 2010 21:24:41] Message ID: [21360]

Issue Type: Mayor, Vice Mayor, and Council Members
First Name: Robert
Last Name: Clark
Street Address: 602 Virginia Ave
City: Alexandria
State: VA
Zip: 22302
Phone: 7035497347
Email Address: robert@clark325.com
Subject: Brenman park soccer field

Comments:

My name is Robert Clark and I am a 20 year city resident and father of 3 children who are very active in the Alexandria Soccer Association. We are desperate for better fields. The ones we play on are half-covered with grass and contain huge patches of rocks. I am confident we have some of the worst fields in all of Northern Virginia. With Brenman, we have an opportunity to increase the number of synthetic turf fields. This one field will dramatically improve the capacity of our city's sports fields. Please follow through on installing synthetic turf and lighting on this field.



COA Contact Us: Brenman Field Turf and Lighting Project

william.euille, frank.fannon, kerry.donley,
Martin Cargas to: alicia.hughes, council, delpopper, paulcsmedberg,
rose.boyd, jackie.henderson, elaine.scott,
rob.krupicka

05/04/2010 02:26 PM

Please respond to Martin Cargas

Time: [Tue May 04, 2010 14:26:30] Message ID: [21342]

Issue Type: Mayor, Vice Mayor, and Council Members
First Name: Martin
Last Name: Cargas
Street Address: 817 St. Stephens Rd
City: Alexandria
State: VA
Zip: 22304
Phone: 703-370-3817
Email Address: mcargas@gmail.com

Subject: Brenman Field Turf and Lighting Project

Dear City Council:

The Cargas family strongly supports the installation of synthetic turf and lights at Brenman Park per current plans and budget. Funding efficient and safe athletic facilities for its citizens is one of the best possible uses of municipal funds. When kids are playing soccer and lacrosse they are positively engaged. The benefits to the community for fields that can be utilized much more than natural fields far, far outweigh the very minor inconveniences that a few people might perceive.

Comments:

Again,
we are strong supporters of the Brenman Park turf/lighting project.

Thank you.

Martin Cargas



COA Contact Us: Convert Brenman Park soccer field

william.euille, frank.fannon, kerry.donley, alicia.hughes,

Page Moon to: council, delpepper, paulcsmedberg, rose.boyd,
jackie.henderson, elaine.scott, rob.krupicka

05/04/2010 02:05 PM

Please respond to Page Moon

Time: [Tue May 04, 2010 14:05:12] Message ID: [21337]

Issue Type: Mayor, Vice Mayor, and Council Members
First Name: Page
Last Name: Moon
Street Address: 110 West Mason Ave.
City: Alexandria
State: VA
Zip: 22301
Phone: (703) 836-0548
Email Address: page@focusdatasolutions.com
Subject: Convert Brenman Park soccer field
Dear Members of City Council:

I write today in support of the plan to convert Brenman Park soccer field from natural to synthetic turf and install permanent lighting. Our family has been involved with the Alexandria Soccer Association for six years. My child and I both play soccer and I coach youth soccer. We are well aware of the many challenges the City of Alexandria faces. I cannot begin to share the number of times games have been canceled due to weather or field schedules juggled to accommodate the lack of space.

Please consider the following benefits of this plan:

- The City does not have sufficient field capacity to accommodate the growth of youth and adult participation in field sports.

Our natural turf fields are in poor condition and suffer from severe overuse. The poor playing conditions increase the likelihood of injuries

and affect the quality of the play. Fields are frequently closed due to

Comments: rain or wet ground and cannot be used in the summer because they must be rested.

- Installing a new synthetic turf field with lights will allow

much greater field capacity since the field can be used year round in

almost any weather conditions and after sunset.

- Synthetic turf fields

are also safer for the kids and adults and offer perfect playing

conditions.

- Converting a synthetic turf field makes significant economic

sense. One synthetic turf field offers the capacity of 2-3 natural turf

fields, but unlike natural turf, requires almost no regular maintenance,

reducing operating expenses significantly.

- Adding lights to the baseball

field will also help our youth sports community address the capacity

issues.

I strongly urge you to support this plan and improve athletics

in the City of Alexandria.

Thank you,

Page Moon



COA Contact Us: Turf and Lights at Ben Brenman Park

william.euille, frank.fannon, kerry.donley,
Timothy Peterson to: alicia.hughes, council, delpepper,
paulcsmedberg, rose.boyd, jackie.henderson,
elaine.scott, rob.krupicka

05/04/2010 10:39 AM

Please respond to Timothy Peterson

Time: [Tue May 04, 2010 10:39:45] Message ID: [21331]

Issue Type: Mayor, Vice Mayor, and Council Members
First Name: Timothy
Last Name: Peterson
Street Address: 307 Russell Road
City: Alexandria
State: VA
Zip: 22301
Phone: 7038370387
Email Address: tpete@mac.com
Subject: Turf and Lights at Ben Brenman Park
Mr. Mayor, Mr. Vice Mayor, and City Council Members,

I am writing to

voice my strong support for the addition of synthetic fields and lights at

Ben Brenman Park. Alexandria is in
desperate need of safe outdoor fields

for kids and for adults. I am a parent of three boys who play a variety of

sports. I have
noticed over the past 10 years that our existing fields

are deteriorating quickly, leaving dangerous holes, mounds, and rough

patches that our kids need to avoid as they play. The lack of available

fields for adults and kids means that our current fields
are being

overused. A synthetic field will provide a safer, more durable surface,

and the addition of lights will enable more
games to be played at those

Comments: fields, relieving the pressure on playing areas across the city.

One of

the reasons my wife and I love living in Alexandria is the active lifestyle
the city provides. Like many people, I'm
concerned about kids and adults
not getting enough exercise and developing more sedentary habits. Right
now, the city does
not have sufficient field space. The proposed project
at Ben Brenman will help the city provide more opportunities for families
to live a healthy life.

Thank you for your past support of the
project. I encourage you to continue to advance this
proposal.

Regards,
Tim Peterson



COA Contact Us: Ben Brenman Turf Field Plan

william.euille, frank.fannon, kerry.donley, alicia.hughes,

Paul Hunt to: council, delpepper, paulcsmmedberg, rose.boyd,
jackie.henderson, elaine.scott, rob.krupicka

05/04/2010 10:20 AM

Please respond to Paul Hunt

Time: [Tue May 04, 2010 10:20:09] Message ID: [21330]

Issue Type: Mayor, Vice Mayor, and Council Members
First Name: Paul
Last Name: Hunt
Street Address: 311 Rucker Place
City: Alexandria
State: VA
Zip: 22301
Phone: 7038380233
Email Address: paul.hunt@lw.com
Subject: Ben Brenman Turf Field Plan
Dear City Council Members,

I am writing to express my strong support

for the plan to convert the Brenman Park soccer field from natural to synthetic turf and install permanent lighting. I play adult soccer and two of my three kids play youth soccer. One of my kids also plays youth baseball. The reasons I support the plan are as follows:

- In my view,

the City does not have sufficient field capacity to accommodate the growth of youth and adult participation in field sports.

- Our natural turf

fields are in poor condition and suffer from severe overuse. For example, I routinely play at Joe Hensley Park on Eisenhower Avenue. While that field is lighted, the field conditions are horrible, and the poor playing conditions increase the likelihood of injuries and affect the quality of the play. Fields are frequently closed due to rain or wet ground and cannot be used in the summer because they must be rested.

Comments:

- Installing

a new synthetic turf field with lights will allow much greater field capacity since the field can be used year round in almost any weather conditions and after sunset.

- Synthetic turf fields are also safer for the kids and adults and offer perfect playing conditions.

- Converting

a synthetic turf field makes significant economic sense. One synthetic turf field offers the capacity of 2-3 natural turf fields, but unlike natural turf, requires almost no regular maintenance, reducing operating expenses significantly.

- Adding lights to the baseball field will also help our youth sports community address capacity issues.

Sincerely,
Paul J. Hunt



COA Contact Us: Brenman Park Little League Baseball Diamond

william.euille, frank.fannon, kerry.donley,
William Stiers to: alicia.hughes, council, delpepper, paulcsmedberg,
rose.boyd, jackie.henderson, elaine.scott,
rob.krupicka

05/04/2010 10:12 AM

Please respond to William Stiers

Time: [Tue May 04, 2010 10:12:15] Message ID: [21329]

Issue Type: Mayor, Vice Mayor, and Council Members
First Name: William
Last Name: Stiers
Street Address: 3908 Colonel Ellis Avenue
City: Alexandria
State: VA
Zip: 22304
Phone: 703-575-9369
Email Address: billstiers@aol.com
Subject: Brenman Park Little League Baseball Diamond

Laura Durham
City of Alexandria
Department of Recreation, Parks and

Cultural Affairs

Dear Laura -

As a parent of a 10 year old boy and 8
year old girl who have participated in city sports for the past six years,

and an
assistant coach for little league baseball, I am writing with

regard to the capacity and condition of fields available for city

children, specifically at Brenman Park.

The fields that the kids play

on are in poor condition and suffer from severe overuse, which as you know,

increases the
likelihood of injuries (especially in baseball) and affect

the quality of the play. When it rains, the fields are closed for various

periods which make rescheduling difficult. Those that are in the worst shape can be closed for days.

We support the installation of new synthetic turf on the baseball field for several reasons. First, an even surface will make the trajectory of a fast moving baseball more predictable and reduce injuries, especially for the younger, less-experienced players. Second, it will also increase the number of games that can be played on that field in most weather conditions. Third,

Comments:

it is my understanding that RPCA costs will be significantly reduced as the turf requires almost no regular maintenance.

Also, we support the installation of lighting for the baseball field, which will make visibility better for late afternoon games when there is heavy cloud cover, or for those games that last until or past sunset. Again, this will reduce injuries by increasing visibility of a fast-moving baseball, especially with the younger, less-experienced players.

The Alexandria City Council and Planning Commission will be reviewing the plan to convert Brenman Park soccer field from natural to synthetic turf and install permanent lighting. We support this effort, but think it would make even more sense to make upgrades to the little league baseball diamond the top priority.

Our family strongly supports this project and hope you will too.

- Bill Stiers

Bill, Cappie, Will, Mary Adeline Stiers
3908

Colonel Ellis Avenue
Alexandria, VA 22304

703-575-9369



COA Contact Us: new turf field with lights at Brenman Park

Jeffrey Resetco to: william.euille, frank.fannon, kerry.donley,
alicia.hughes, council, delpepper, paulcsmedberg,
rose.boyd, jackie.henderson, elaine.scott,
rob.krupicka

05/04/2010 09:35 AM

Please respond to Jeffrey Resetco

Time: [Tue May 04, 2010 09:35:20] Message ID: [21327]

Issue Type: Mayor, Vice Mayor, and Council Members
First Name: Jeffrey
Last Name: Resetco
Street Address: 906 Enderby Dr
City: Alexandria
State: VA
Zip: 22302
Phone: 571-259-3656
Email Address: jresetco@gmail.com
Subject: new turf field with lights at Brenman Park

I strongly support the new turf field with lights at Brenman Park. I live at 906 Enderby Dr. in Alexandria. I play organized adult sports in the city and my two children play recreational sports in Alexandria as well. I strongly believe that the City does not have sufficient field capacity to accommodate the growth of youth and adult participation in field sports. Our natural turf fields are in poor condition and suffer from severe overuse. The poor playing conditions increase the likelihood of injuries and affect the quality of the play. Fields are frequently closed due to rain or wet ground. I have witnessed all 3 of these problems on a regular basis throughout the course of a spring or fall season.

Installing a new synthetic turf field with lights will allow
much greater field capacity since the field can be used year round in

Comments:

almost any weather conditions and after sunset. I often play at the Ft

Ward field and I have found the experience on turf with
lights to be a

wonderful recreational opportunity. I think more residents in the city and

their children should have the same
opportunity.

Converting a

synthetic turf field makes significant economic sense. One synthetic turf

field offers the capacity of 2-3
natural turf fields, but unlike natural

turf, requires almost no regular maintenance, reducing operating expenses

significantly.

Adding lights to the baseball field will also help our

youth sports community address the capacity issues.

Thank you for your

consideration of my strong support for the project.

Regards

Jeffrey

Resetco



COA Contact Us: Brenman park artificial turf

Sandra Harwood to: william.euille, frank.fannon, kerry.donley,
alicia.hughes, council, delpepper, paulcsmedberg,
rose.boyd, jackie.henderson, elaine.scott,
rob.krupicka

05/04/2010 09:18 AM

Please respond to Sandra Harwood

Time: [Tue May 04, 2010 09:18:41] Message ID: [21326]

Issue Type: Mayor, Vice Mayor, and Council Members
First Name: Sandra
Last Name: Harwood
Street Address: 608 Melrose Street
City: Alexandria
State: Virginia
Zip: 22302
Phone: 703 836-0606
Email Address: sharwood@idsociety.org
Subject: Brenman park artificial turf

Dear Mayor, Vice-Mayor and Alexandria City Council –
As a city resident,

masters league soccer player and mother of two children currently in both the Alexandria soccer and baseball/softball city leagues, I strongly support the conversion of one of the fields as well as field lighting for Brenman park. Our city has so few fields and so many teams that between overuse and inclement weather natural fields don't hold up well. An artificial turf field would relieve much of the burden on these overused natural fields and the lighting would allow for evening play, allowing for more teams to enjoy this amenity. Team sports promote healthy, active lifestyles and providing the resources that enable these activities only enhance our community, our property values and our standard of living.

Thank you for your consideration.

Sandra Vura Harwood
608

Melrose Street
Alexandria, VA 22302
(703) 836-0606



COA Contact Us: Turf Fields -Brenman Park

Michael Discenza to: william.euille, frank.fannon, kerry.donley,
alicia.hughes, council, delpepper, paulcsmedberg,
rose.boyd, jackie.henderson, elaine.scott,
rob.krupicka

05/04/2010 07:12 AM

Please respond to Michael Discenza

Time: [Tue May 04, 2010 07:12:08] Message ID: [21322]

Issue Type: Mayor, Vice Mayor, and Council Members
First Name: Michael
Last Name: Discenza
Street Address: 3104 Old Dominion Blvd
City: Alexandria
State: VA
Zip: 22305
Phone: 7039631647
Email Address: mjdiscenz@aol.com
Subject: Turf Fields -Brenman Park
Dear City Leaders,

Comments: We are writing in strong support of installing synthetic turf fields at Brenman Park. We have two daughters, 11 and 9, who are active participants in the Alexandria Soccer Association and Alexandria Lacrosse Club teams. They regularly have practice and games at Brenman. The current fields are in very poor condition and not up to par with state of the art synthetic turf facilities available to the majority of teams we compete against. We sometimes have access to the synthetic fields at Minnie Howard and Fort Ward, and find them far superior to the natural turf fields at Brenman. The synthetic turf makes for a better, safer, more fair game. And the fact that they are available even when it rains increases playing capacity.

Thank you for your consideration

of our request to upgrade our facilities.

Regards,

Mike

Discenza

Cynthia Durakis

Alexandria, VA



COA Contact Us: Turf Fields for Soccer

william.euille, frank.fannon, kerry.donley,
Alison Smith to: alicia.hughes, council, delpepper, paulcsmedberg,
rose.boyd, jackie.henderson, elaine.scott, rob.krupicka
Please respond to Alison Smith

05/03/2010 10:12 PM

Time: [Mon May 03, 2010 22:12:05] Message ID: [21319]

Issue Type: Mayor, Vice Mayor, and Council Members
First Name: Alison
Last Name: Smith
Street Address: 6117 Berlee Dr
City: Alexandria
State: VA
Zip: 22312
Phone:
Email Address: alismith@cox.net
Subject: Turf Fields for Soccer
I would like to express my support for installing synthetic turf fields to the soccer playing areas in Alexandria. My son plays on the U9 Alexandria Stars Travel Soccer Team, and we have experienced frequent frustration with the condition of the fields (specifically, the Route 1/Potomac Yards fields). There are several points that are clear to me regarding soccer and the need for synthetic turf:

- The City does not have sufficient field capacity to accommodate the growth of youth and adult participation in field sports.
- Our natural turf fields are in poor condition and suffer from severe overuse. The poor playing conditions increase the likelihood of injuries and affect the quality of the play. Fields are frequently closed due to rain or wet ground and cannot be used in the summer because they must be rested.
- Installing a new synthetic turf field with lights will allow much greater field capacity since the field can be used year round in almost any weather conditions and after

sunset.

- Synthetic turf fields are also safer for the kids and adults and

offer perfect playing conditions.

- Converting a synthetic turf field

makes significant economic sense. One synthetic turf field offers the capacity of 2-3 natural turf fields, but unlike natural turf, requires almost no regular maintenance, reducing operating expenses significantly.

My children attend school at Grace Episcopal School, where a synthetic turf field was installed 2 years ago. The turf field has made such a huge, powerful impact on sports for the kids in the school, at the church, and for the neighboring community. I urge you to consider making the same positive change for all Alexandria athletes.

Thank you.



COA Contact Us: Synthetic Turf at Brenmen Park

Stephanie Rosales to: william.euille, frank.fannon, kerry.donley,
alicia.hughes, council, delpepper,
paulcsmberg, rose.boyd, jackie.henderson,
elaine.scott, rob.krupicka

05/03/2010 08:58 PM

Please respond to Stephanie Rosales

Time: [Mon May 03, 2010 20:57:59] Message ID: [21311]

Issue Type: Mayor, Vice Mayor, and Council Members

First Name: Stephanie

Last Name: Rosales

Street Address: 600 Crestwood Dr

City: Alexandria

State: VA

Zip: 22302

Phone: 571-970-1446

Email Address: stephrosales@comcast.net

Subject: Synthetic Turf at Brenmen Park

As a parent of girls playing soccer each season with Alexandria I write in strong support of the plan to convert Brenmen Park to synthetic turf and the addition of lights.

Currently, the City does not have sufficient field capacity to accommodate the growth of youth and adult participation in field sports. Our natural turf fields are in poor condition and suffer from severe overuse. The poor playing conditions increase the likelihood of injuries and affect the quality of the play. Fields are frequently closed due to rain or wet ground and cannot be used in the summer because they must be rested. Our kids have missed large portions of the scheduled seasons due to weather's effect on the natural field conditions. Installing

Comments: a new synthetic turf field with lights will allow much greater field

capacity since the field can be used year round in almost any weather conditions and after sunset.

Converting a synthetic turf field makes

significant economic sense. One synthetic turf field offers the capacity of 2-3 natural turf fields, but unlike natural turf, requires almost no regular maintenance, reducing operating expenses significantly. Adding lights to the baseball field will also help our youth sports community address the capacity issues.

Thank you for your

consideration.

Stephanie Rosales



COA Contact Us: Ben Brenman Park Fields

Shelly Morgan to: william.euille, frank.fannon, kerry.donley,
alicia.hughes, council, delpepper, paulcsmedberg,
rose.boyd, jackie.henderson, elaine.scott,
rob.krupicka

05/03/2010 02:37 PM

Please respond to Shelly Morgan

Time: [Mon May 03, 2010 14:37:46] Message ID: [21289]

Issue Type: Mayor, Vice Mayor, and Council Members

First Name: Shelly

Last Name: Morgan

Street Address: 915 N. Overlook Dr.

City: Alexandria

State: VA

Zip: 22305

Phone: 703-519-6160

Email Address: shellymorgan@comcast.net

Subject: Ben Brenman Park Fields

I am writing to you in support of the City of Alexandria upgrading the

athletic fields at Ben Brenman Park. My husband has coached ASA soccer

teams for the past 10 years, and my daughter still plays on a U16 team. We

have often felt that the City has not kept up with the demand for decent

athletic fields. There are a number of fields around Alexandria that are in

dreadful condition, and we are sadly lacking fields with lights. It is

embarrassing to have teams from other parts of Fairfax come to Alexandria

and play on our sub-standard fields. In addition, it is dangerous for our

Comments: children and adult athletes to play on these fields that are uneven, and

laden with potholes and bare spots. It is time to address this problem!

Although the proposed upgrades to Ben Brenman will not be a complete

solution, it would be a great start. From what I understand, funding is not

an
issue, so I truly hope that the City Council and Planning Commission
will see fit to move ahead with the proposed plan at Ben
Brenman Park.

Sincerely,
Shelly Morgan



COA Contact Us: Turf at Ben Brenman Park

Nicholas Colucci to: william.euille, frank.fannon, kerry.donley,
alicia.hughes, council, delpepper, paulcsmedberg,
rose.boyd, jackie.henderson, elaine.scott,
rob.krupicka

05/03/2010 02:12 PM

Please respond to Nicholas Colucci

Time: [Mon May 03, 2010 14:12:49] Message ID: [21286]

Issue Type: Mayor, Vice Mayor, and Council Members

First Name: Nicholas

Last Name: Colucci

Street Address: 2805 Davis Avenue

City: Alexandria

State: VA

Zip: 22302

Phone: 703-229-6583

Email Address: najcol@aol.com

Subject: Turf at Ben Brenman Park

We wholly endorse the idea of putting an artificial surface, and installing lights at the softball field, at Ben Brenman park. First, we do not believe the city has enough recreational space for the many adult and youth teams that participate in the area. We have two sons, who both play soccer for the City of Alexandria. Our younger son, Daniel, is five and just started his career with ASA. Our older son, John, plays for the Under 11 travel soccer team, which is currently undefeated in league play. They practice and play their home games at Ben Brenman park. More specifically, they play and practice within the outfield of the softball field. The conditions are not ideal for soccer. There are bare patches and clumps of grass that make play uneven, at best, and dangerous, at worst. Just this week we noticed at least four "hands balls" that were caused by an uneven playing surface (i.e., the ball bounced in an unanticipated direction).

Second, we do not believe the city has enough recreational space for

the many adult and youth teams that participate in the area. Our son, John, also plays lacrosse for the City of Alexandria (they are also undefeated). The primary practice field is at Patrick Henry elementary, which is another field that is being utilized only because it's available and not because it's ideal lacrosse. Luckily, our son's coach has been able to secure the turf field at Minnie Howard for some of the practices. The difference is night and day. The kids are more comfortable, the play is faster and truer, and the team is able to practice in the evenings because of the lights. The fact that Patrick Henry is a primary field for a lacrosse team speaks directly to the availability of quality fields within the area. Third, when compared to the maintenance costs associated with a well-groomed grass field, the economic costs are fairly evident. For a one-time installation fee, the field can be used for years to come with very little maintenance. Fourth, turf fields are very rarely closed because of weather conditions. Our older son's teams have both practiced and played games at Minnie Howard when other field are closed.

Comments:

Finally, we believe the city of Alexandria is making strides in fielding teams that can compete with other municipalities within the greater metropolitan area, including teams from much larger jurisdictions, such as Fairfax County. We know other jurisdictions have moved to installing new fields with, and converting existing fields to, synthetic turf. In a sense, turf fields provide a competitive advantage for all of those teams for the reasons we have outlined above. We urge the city to complete the proposed projects.

Sincerely,

Nicholas and Amy Colucci



COA Contact Us: Ben Brenman Soccer Fields--Support Synthetic Field with Lighting

Norm Lent to: william.euille, frank.fannon, kerry.donley, alicia.hughes,
council, delpepper, paulcsmedberg, rose.boyd,
jackie.henderson, elaine.scott, rob.krupicka

05/03/2010 01:49 PM

Please respond to Norm Lent

Time: [Mon May 03, 2010 13:49:39] Message ID: [21282]

Issue Type: Mayor, Vice Mayor, and Council Members
First Name: Norm
Last Name: Lent
Street Address: 3529 Malvern Ct
City: Alexandria
State: VA
Zip: 22304-1852
Phone: 2027762327
Email Address: nlent@dowlohnesgov.com
Subject: Ben Brenman Soccer Fields--Support Synthetic Field with Lighting
Thank you again for the Council's hard work over the last several years to improve Alexandria's various playing fields and other recreational facilities.

I write to support the installation of a synthetic turf field with lights at Ben Brenman. Both my kids play, have played or will play soccer, softball, lacrosse and basketball and enjoy the City's sports facilities and parks.

Key points--

1--The City does not have sufficient field capacity to accommodate the growth of youth and adult participation in field sports.

2--The City's natural turf fields are in poor condition and suffer from severe overuse. The poor playing conditions increase the likelihood of injuries and affect the quality of the play.

Fields are frequently closed due to rain or wet ground and cannot be used in the summer because they must be rested.

3--Installing a new synthetic turf field with lights will allow much greater field capacity since the field can be used year round in almost any weather conditions and after sunset.

4--Synthetic turf fields are safer for the kids and adults and offer perfect playing conditions.

5--Converting a synthetic turf field makes significant economic sense. One synthetic turf field offers the capacity of 2-3 natural turf fields, but unlike natural turf, requires almost no regular maintenance, reducing operating expenses significantly.

6--Adding lights to the Ben Brenman baseball field will also help our youth sports community address the capacity issues.

I appreciate your service on the Council, and thank you for your consideration of my views.

Norm

Norm Lent
3529 Malvern Ct
Alexandria VA 22304-1852



COA Contact Us: Synthetic turf field and lights at Brenman Park

Courtney Smith to: william.euille, frank.fannon, kerry.donley,
alicia.hughes, council, delpepper, paulcsmedberg,
rose.boyd, jackie.henderson, elaine.scott,
rob.krupicka

05/03/2010 01:14 PM

Please respond to Courtney Smith

Time: [Mon May 03, 2010 13:14:27] Message ID: [21278]

Issue Type: Mayor, Vice Mayor, and Council Members
First Name: Courtney
Last Name: Smith
Street Address: 629 Oakley Pl.
City: Alexandria
State: Va
Zip: 22302
Phone: 703-944-9445
Email Address: courtneysmith629@comcast.net
Subject: Synthetic turf field and lights at Brenman Park

I am an Alexandria resident with two eight year old boys who participate in sport leagues in the city. I am writing to express my strong support for the installation of a synthetic turf field with lights in Brenman Park. With the rate of childhood obesity increasing at an alarming pace, the city's responsibility to facilitate exercise and healthy recreation opportunities is a serious one. For this reason and those that follow, please move this project forward.

-The City does not have sufficient field capacity to accommodate the growth of youth and adult participation in field sports.
-Our natural turf fields are in poor condition and suffer from severe overuse. The poor playing conditions increase the likelihood of injuries and affect the quality of the play.
Fields are frequently closed due to rain or wet ground and cannot be used

in the summer because they must be rested.

Comments:

-Installing a new synthetic

turf field with lights will allow much greater field capacity since the field can be used year round in almost any weather conditions and after sunset.

-Synthetic turf fields are also safer for the kids and adults and offer perfect playing conditions.

-Converting a synthetic turf

field makes significant economic sense. One synthetic turf field offers the capacity of 2-3 natural turf fields, but unlike natural turf, requires almost no regular maintenance, reducing operating expenses significantly.

- Adding lights to the baseball field will also help our youth sports community address the capacity issues.

Courtney Smith

629 Oakley

Pl.
Alexandria 22302
703-944-9445



COA Contact Us: Synthetic Turf and Lights at Brenman Park

william.euille, frank.fannon, kerry.donley,

Todd Carroll to: alicia.hughes, council, delpepper, paulcsmedberg,
rose.boyd, jackie.henderson, elaine.scott, rob.krupicka

05/03/2010 12:52 PM

Please respond to Todd Carroll

Time: [Mon May 03, 2010 12:52:49] Message ID: [21276]

Issue Type: Mayor, Vice Mayor, and Council Members
First Name: Todd
Last Name: Carroll
Street Address: 3403 Russell Road
City: Alexandria
State: VA
Zip: 22305
Phone: 703.549.3365
Email Address: todd.a.carroll@navy.mil
Subject: Synthetic Turf and Lights at Brenman Park

I am writing you to voice my support for Synthetic Turf and Lights at Brenman Park.

I am currently working as the field coordinator for ASA

Travel Soccer program. Based on this experience, I can tell you that ASA does not have sufficient field capacity to support our current field requirements or to support our future requirements. Our natural turf fields are in poor condition and suffer from severe overuse. The poor playing conditions increase the likelihood of injuries and affect the quality of the play. Fields are frequently closed due to rain or wet ground and cannot be used in the summer because they must be rested.

Installing a new synthetic turf field with lights will allow much greater field capacity since the field can be used year round in almost any weather conditions and after sunset. Synthetic turf fields are also safer for the kids and adults and offer perfect playing conditions. Converting a

Comments: synthetic turf field makes significant economic sense. One synthetic turf field offers the capacity of 2-3 natural turf field.

In addition to supporting our travel program I am currently coaching 2 recreation teams. Our recreation team are practicing and playing on increasingly poor and overcrowded fields. Adding additional turf fields will help here. My youngest daughter is playing on a 6 and under team and the number of kids playing at this age are doubled since my 11 son started playing 6 years ago. Getting turf and lights for Brenman is clearly another step in the right direction.

I truly appreciated your support in getting the synthetic turf and lights for Brenman Park.

Thanks,
Todd Carroll



APPLICATION

SPECIAL USE PERMIT

SPECIAL USE PERMIT # 2010-0006

PROPERTY LOCATION: 4800 Brenman Park Drive

TAX MAP REFERENCE: 059.01-02-01 **ZONE:** CDD # 9

APPLICANT:

Name: City of Alexandria (Department of RP&CA)

Address: 301 King Street, Alexandria, VA 22314

PROPOSED USE: Lights for athletic field and baseball diamond

Currently existing at Ben Brenman Park.

THE UNDERSIGNED, hereby applies for a Special Use Permit in accordance with the provisions of Article XI, Section 4-11-500 of the 1992 Zoning Ordinance of the City of Alexandria, Virginia.

THE UNDERSIGNED, having obtained permission from the property owner, hereby grants permission to the City of Alexandria staff and Commission Members to visit, inspect, and photograph the building premises, land etc., connected with the application.

THE UNDERSIGNED, having obtained permission from the property owner, hereby grants permission to the City of Alexandria to post placard notice on the property for which this application is requested, pursuant to Article IV, Section 4-1404(D)(7) of the 1992 Zoning Ordinance of the City of Alexandria, Virginia.

THE UNDERSIGNED, hereby attests that all of the information herein provided and specifically including all surveys, drawings, etc., required to be furnished by the applicant are true, correct and accurate to the best of their knowledge and belief. The applicant is hereby notified that any written materials, drawings or illustrations submitted in support of this application and any specific oral representations made to the Director of Planning and Zoning on this application will be binding on the applicant unless those materials or representations are clearly stated to be non-binding or illustrative of general plans and intentions, subject to substantial revision, pursuant to Article XI, Section 11-207(A)(10), of the 1992 Zoning Ordinance of the City of Alexandria, Virginia.

ROGER BLAKELEY
Print Name of Applicant or Agent

[Signature] 2/23/10
Signature Date

1108 Jefferson Street
Mailing/Street Address

703-746-5495
Telephone # Fax #

Alexandria, VA 22314
City and State Zip Code

roger.blakeley@alexandriava.gov
Email address

By unanimous consent, Recommended Approval 5/14/10
ACTION-PLANNING COMMISSION: _____ DATE: _____
ACTION-CITY COUNCIL: Approved PC recommendation DATE: 5/15/10
7-0